

**52" Raptor Parts Manual - 931899CE -**

**HTRTRS052KAWFR691VC**

General Information .....	1
<b>Frame, Fenders, Instrument Panel &amp; Engine Guard</b>	
Frame .....	3-1
Fenders & Instrument Panel .....	3-2
Engine Guard .....	3-3
Battery .....	3-4
<b>Transmissions &amp; Steering</b>	
Transmission Assembly (Multi-Page) .....	4-1
Transmission Service Parts .....	4-2
Steering & Brake .....	4-3
Steering Cover Assembly .....	4-4
<b>Wheels &amp; Tires</b>	
Wheel & Tire .....	5-1
Front Wheel Breakdown .....	5-2
Drive Wheel Breakdown .....	5-3
<b>Engine &amp; Fuel System</b>	
Engine (Multi-Page) .....	6-1
Engine Service Parts .....	6-2
Fuel System .....	6-3
<b>Deck</b>	
Service Deck .....	7-1
Deck Pulleys & Spindles .....	7-2
Deck .....	7-3
Deck Lift .....	7-4
Guards .....	7-5
<b>Seat</b>	
Seat .....	8-1
Seat Service Parts - Standard Seat .....	8-2
Appendice AIndice pagine .....	A
Appendice BIndice parti .....	B



---

# General Information

*Note:* When ordering parts, you must use the part number as shown for each part, not the index number. Always give the model and serial number to your parts and service representative.

*Note:* Items sold in bulk such as seals and hoses are sold by the foot.

---

## **Using This Manual**

This manual is part of a service package for the Hustler® mowers. Use of this manual in conjunction with other Hustler® mower and component manuals will provide the information necessary to service and maintain Hustler® mowers.

This Parts Manual provides a complete parts listing for the unit. Use this manual when ordering parts. Illustrations used were current at the time of printing, but subsequent production changes may cause your machine to vary slightly in detail. Excel Industries, Inc. reserves the right to redesign and change the machine as deemed necessary, without notification. If a change has been made to your machine which is not reflected in this parts manual, see your authorized dealer for current information and parts.

The Service Manual is a service guide for use by Service Technicians. It provides the necessary information needed to perform normal maintenance requirements on these units.

The Operator's Manual provides fundamental operational information and operational safety that is needed when operating the mower.

The component manuals are furnished by the various manufacturers to be used for the troubleshooting and servicing of their products.

## **Hardware Description Codes & Abbreviations**

The following codes are used throughout this parts manual. Refer to this list when ordering parts.

ABBREVIATION	DESCRIPTION	ABBREVIATION	DESCRIPTION
CB	CARRIAGE BOLT	MB	MACHINE BUSHING
CE	CLEVIS PIN	MS	MACHINE SCREW
CN	CLIP NUT	NT	NUT
CP	COTTER PIN	SC	SELF TAPPING CAP SCREW
CS	CAP SCREW	SH	SOCKET HEAD
CW	CUP WASHER	SB	SHOULDER BOLT
FDRW	FENDER WASHER	SS	SET SCREW
FW	FLAT WASHER	OD	OUTSIDE DIAMETER
HX	HEX HEAD	ID	INSIDE DIAMETER
LW	LOCK WASHER	WN	WELD NUT

---

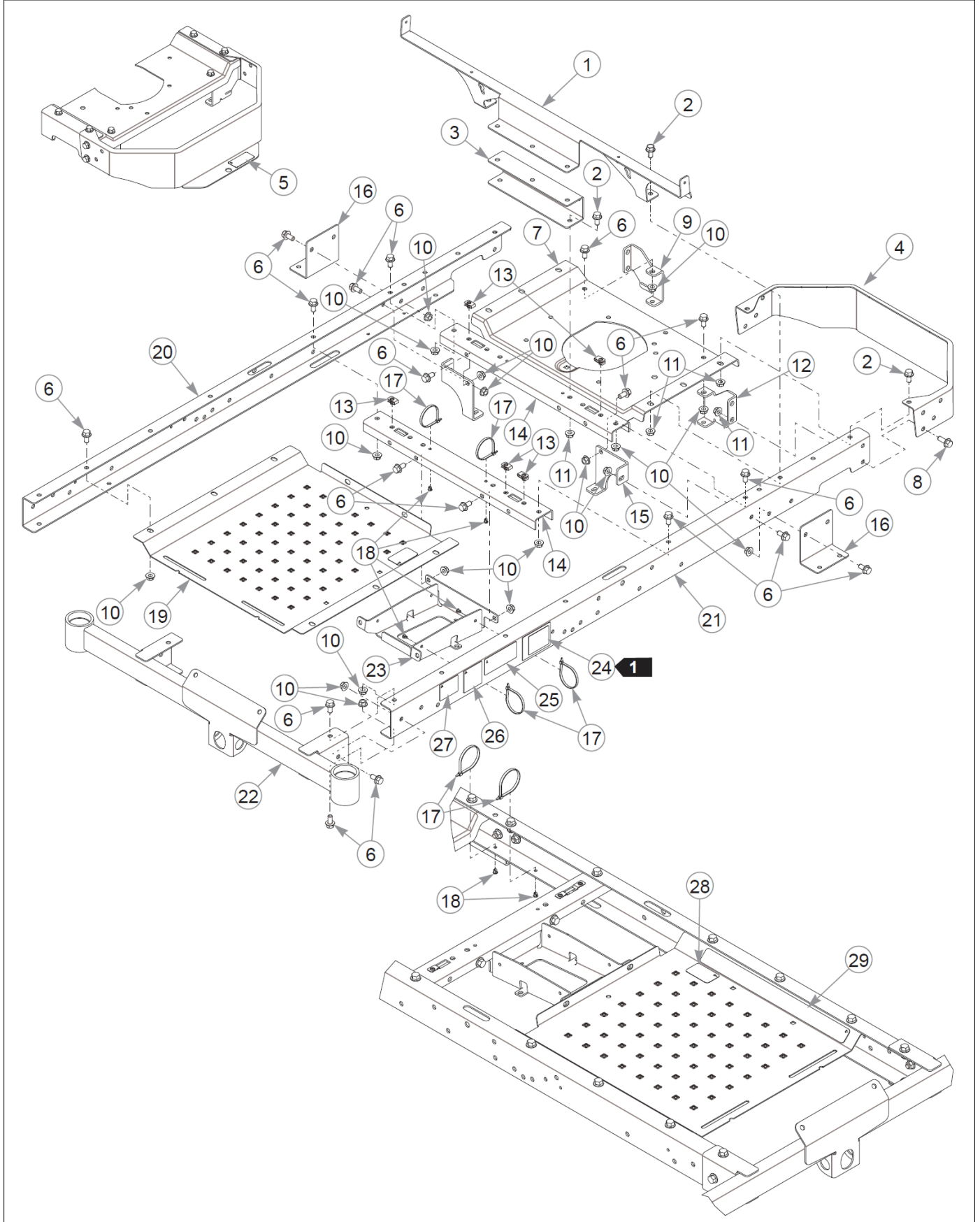
## **Standard Torques**

The following chart lists the standard torque values for the threaded fasteners found in this manual. Torque all cap screws, nuts and set screws to these values unless a different torque is shown in the Notes section next to the fastener.

SIZE	FT-LBS	N•M	SIZE	FT-LBS	N•M
.250	8.2	11.1	M3	1	1.3
.312	17	23	M4	2.2	3
.375	30	40	M5	4.5	6.1
.438	48	65	M6	7.7	10.4
.500	73	99	M8	18.5	25
.562	105	143	M10	37	50
.625	145	200	M12	64	87
.750	260	350	M14	80	108.5
.875	420	565	M16	160	215
1.00	625	850	M20	320	435
			M24	555	750

---

Frame, Fenders, Instrument Panel & Engine Guard



Elemento	Parte n.	Nome	Q.ta	Udm
1	123637-1	SEAT SUPPORT	1	EA
2	029629	CS .375-16X0.750FLK	6	EA
3	123636-1	SEAT SUPPORT	1	EA
4	553148	SERVICE, BUMPER STAMPED	1	EA
5	602041	DECAL, HOT	1	EA
6	604176	CS .375-16x.75 HXFLK PLN	30	EA
7	551858	SVC, ENGINE PLATE	1	EA
8	029751	CS .375-16X1.000 HXFLK	4	EA
9	551859	SVC, RS REAR BRKT	1	EA
10	604177	NT .375-16 HXFLK PLN	30	EA
11	016899	NT .375-16 FLKG5	10	EA
12	551860	SVC, LS REAR BRKT	1	EA
13	601982	CN .250-20X .150 MAX THK	5	EA
14	551861	SVC, CROSS SUPPORT	2	EA
15	551862	SVC, FRONT BRKT	2	EA
16	551863	SVC, HYDRO BRKT	2	EA
17	000331	WIRE TIE, SMALL/SHORT	6	EA
18	604307	MOUNT, PUSH BUTTON	6	EA
19	551865	SVC, FOOT PAN	1	EA
20	551866	SVC, RS FRAME CHANNEL	1	EA
21	551868	SVC, LS FRAME CHANNEL	1	EA
22	551867	SVC, FRONT CROSS FRAME	1	EA
23	552570	BATTERY TRAY	1	EA
24	N/A	SERIAL NUMBER / SPEC DECAL	1	EA
25	601967	DECAL, ENGINE COMPART	1	EA
26	789776CE	DBA LIMIT DECAL	1	EA
27	776310	DECAL, CE MARK	1	EA
28	605782	DECAL, LEVEL FUEL BLOWM	1	EA
29	601981	DECAL, SAFE OPERATE-GRAY	1	EA

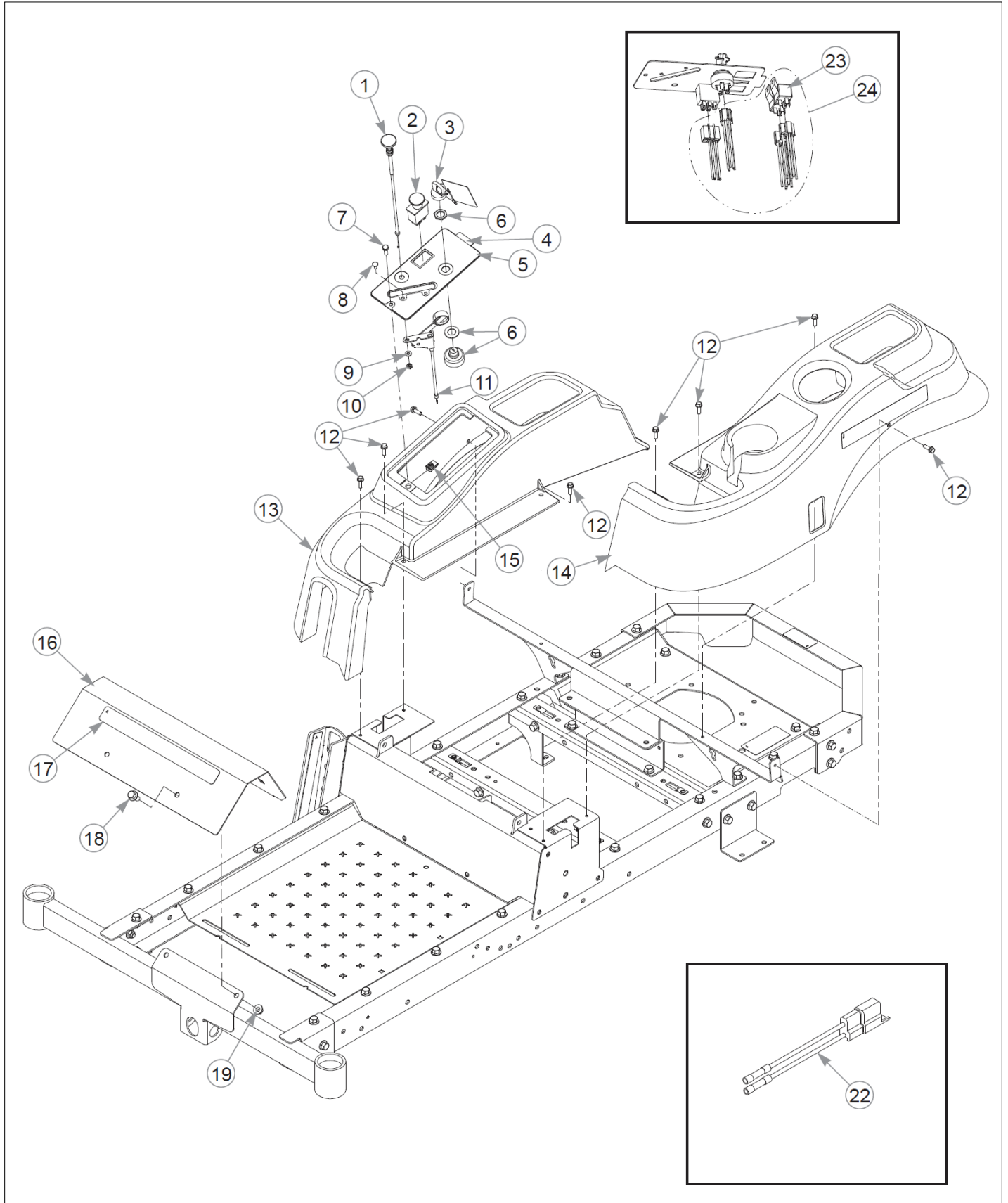
Elemento	Parte n.	Nome	Q.ta	Udm
Not Shown	604876	WIRE HARNESS	1	EA

Comments for Page: Frame

jmumford@excelii.com on Apr 10, 2017

1. Serial number decal. In the event the serial number decal becomes damaged or illegible, please contact your dealer to order a replacement.
2. The bumper, engine plate, foot pan and LS frame channel include decals.

Frame, Fenders, Instrument Panel & Engine Guard





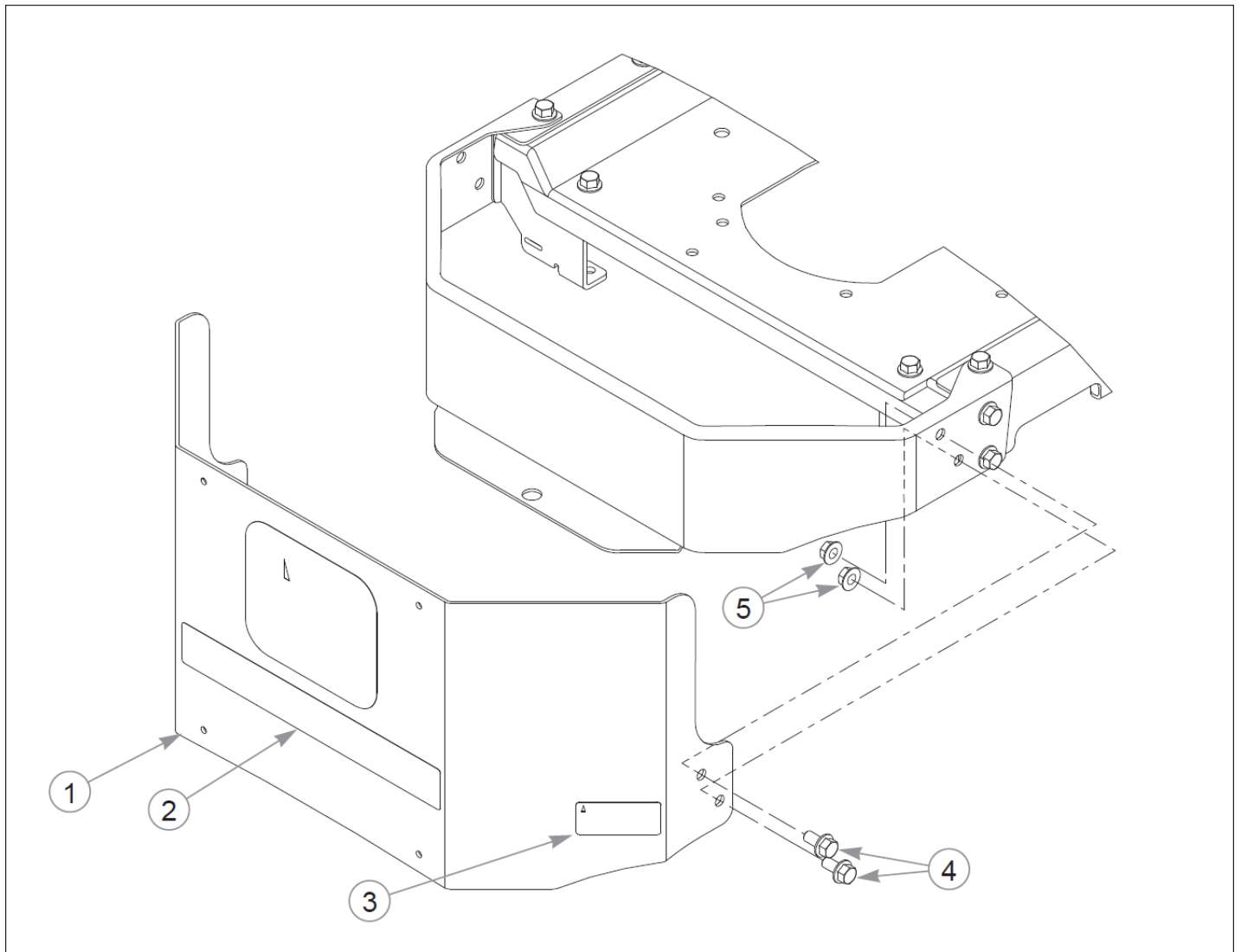
Elemento	Parte n.	Nome	Q.ta	Udm
1	601097	CABLE, CHOKE	1	EA
2	776476	SWITCH, PTO 6201-321	1	EA
3	785808	KEY ASSEMBLY	1	EA
4	551898	SERVICE, INSTR PANEL	1	EA
5	604196	DECAL, INST PANEL	1	EA
6	045898	IGNITION SWITCH	1	EA
7	055939	CS .250-20X0.750HXG5	1	EA
8	601098	CB 10-24 X .500 ZYNC	2	EA
9	704932	FW 0.219X0.500X0.048	2	EA
10	059832	NT #10-24 HX NL ZN	2	EA
11	601096	CABLE, THROTTLE	1	EA
12	604324	CS .250-20 X .75 HX FLG	8	EA
13	552809	SVC, FENDER RS	1	EA
14	552810	SVC, FENDER LS	1	EA
15	601982	CN .250-20X .150 MAX THK	1	EA
16	553505	SVC, FOOTREST	1	EA
17	602407	DECAL, HUSTLER ID	1	EA
18	029629	CS .375-16X0.750FLK	2	EA
19	016899	NT .375-16 FLKG5	2	EA
20	000331	WIRE TIE, SMALL/SHORT	2	EA
21	604388	DECAL, RAPTOR FENDER	2	EA
22	114052	KIT, CLUTCH CONN. REP.	1	EA
23	601053	RELAY, SEALED W/BRACKET	2	EA
24	604876	WIRE HARNESS	1	EA

Comments for Page: Fenders & Instrument Panel

jmumford@excelii.com on Apr 10, 2017

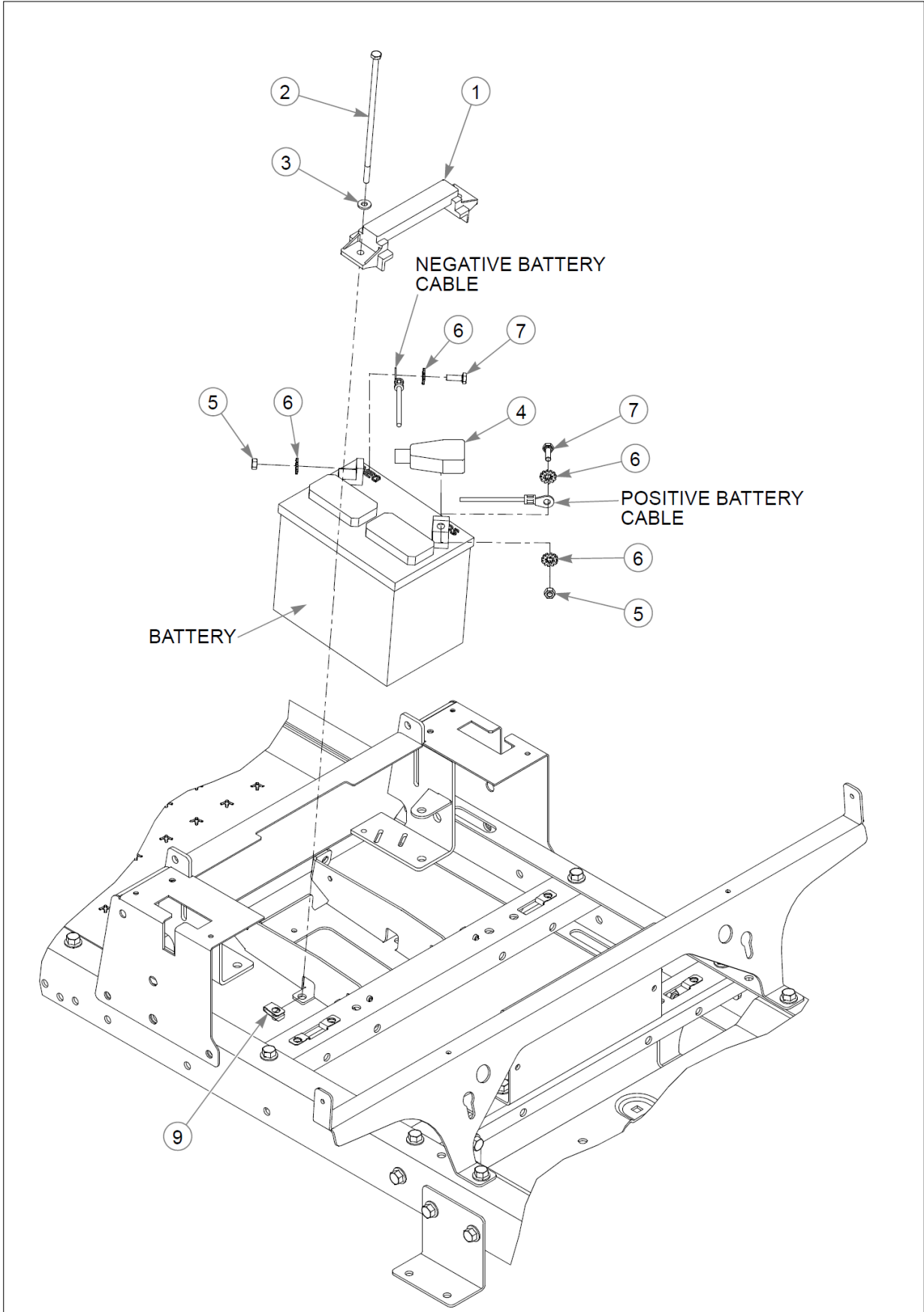
1. The instrument panel and fenders include decals.
2. The sealed relay includes a bracket.

Frame, Fenders, Instrument Panel & Engine Guard



Elemento	Parte n.	Nome	Q.ta	Udm
1	122817	KIT, ENGINE GUARD 48" / 54"	1	EA
<p>Commenti per num parte 122817</p> <p>brian on May 12, 2016</p> <p>NOTE: ENGINE GUARD KIT INCLUDES DECALS AND BOLTS.</p>				
2	604745	DECAL, H LOGO, MFSD 36/4	1	EA
3	602041	DECAL, HOT	1	EA
4	029629	CS .375-16X0.750FLK	4	EA
5	016899	NT .375-16 FLKG5	4	EA

Frame, Fenders, Instrument Panel & Engine Guard



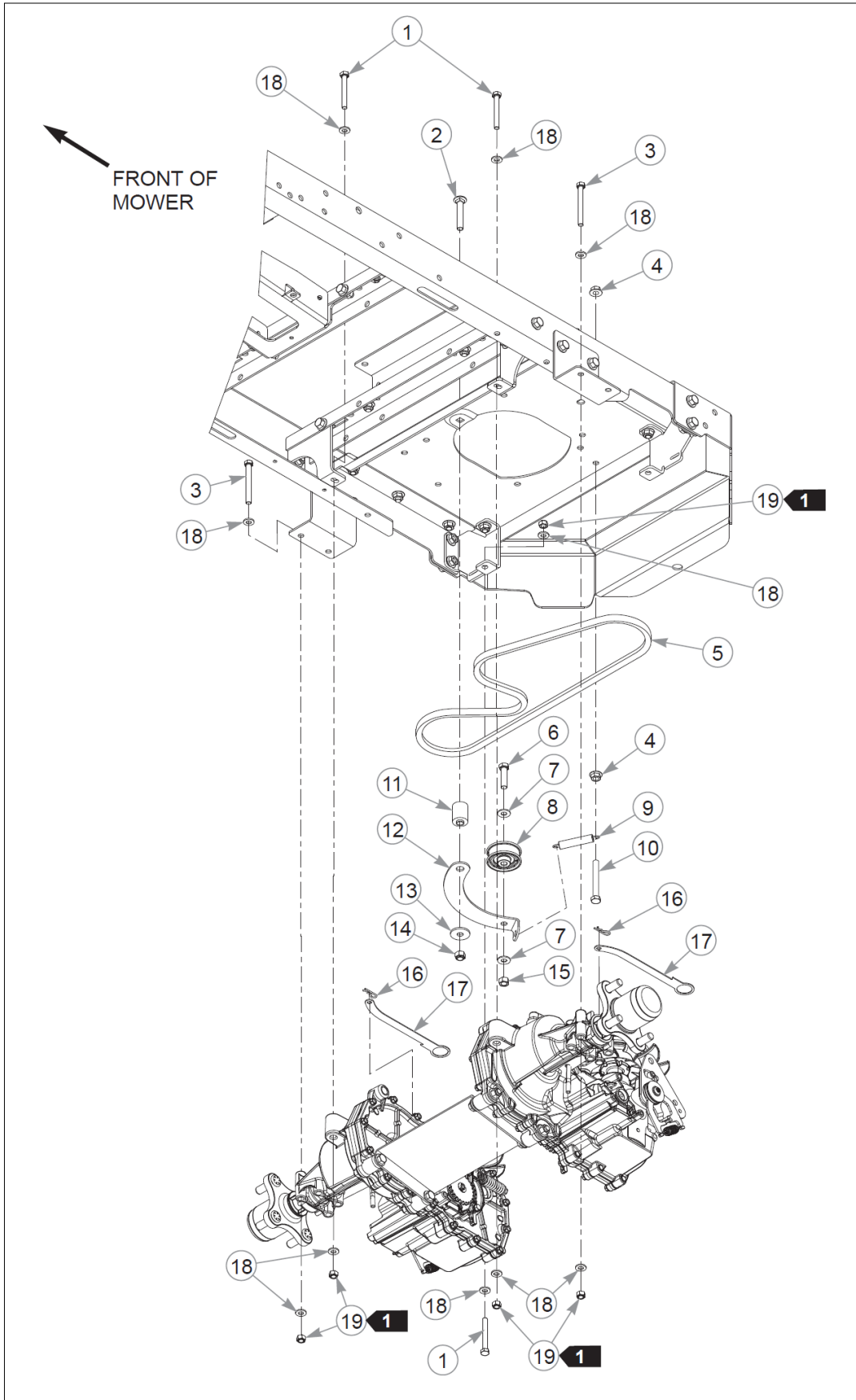
Elemento	Parte n.	Nome	Q.ta	Udm
1	604178	STRAP, TIE DOWN	1	EA
2	604465	CS .250-20 x 7.50 HX G5	2	EA
3	768515	FW 0.281SAE	2	EA
4	771428	BATTERY CBL BOOT-RED(FS)	1	EA
5	024927	NT .250-20HXG5	2	EA
6	029868	LW0.250INTEXT	4	EA
7	055939	CS .250-20X0.750HXG5	2	EA
8	000331	WIRE TIE, SMALL/SHORT	2	EA
9	601982	CN .250-20X .150 MAX THK	2	EA

Comments for Page: Battery

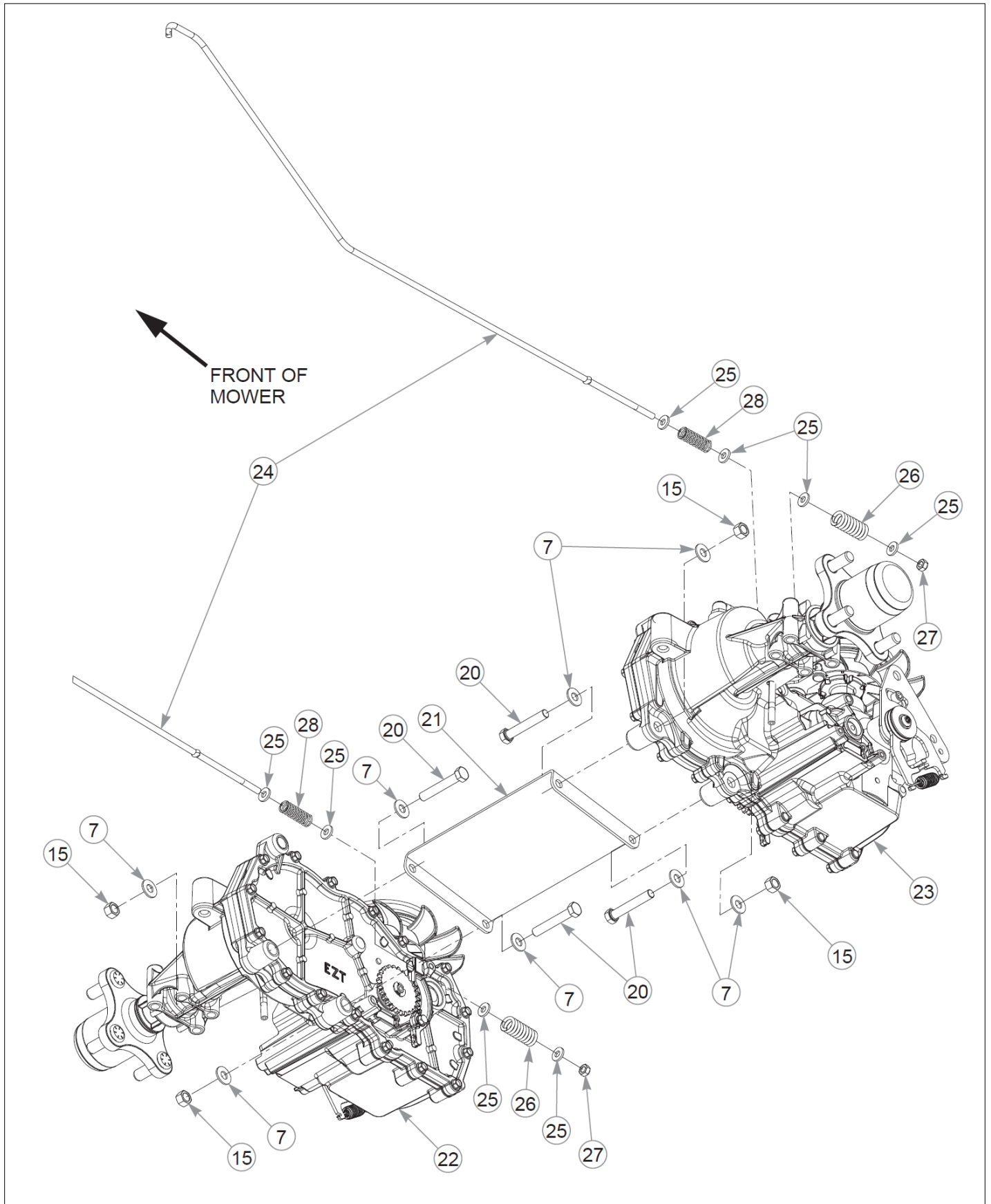
jmumford@excelii.com on May 1, 2015

1. When performing service on the mower, disconnect the negative battery cable and do not reconnect it to the battery until ready to start the engine.

Transmissions & Steering

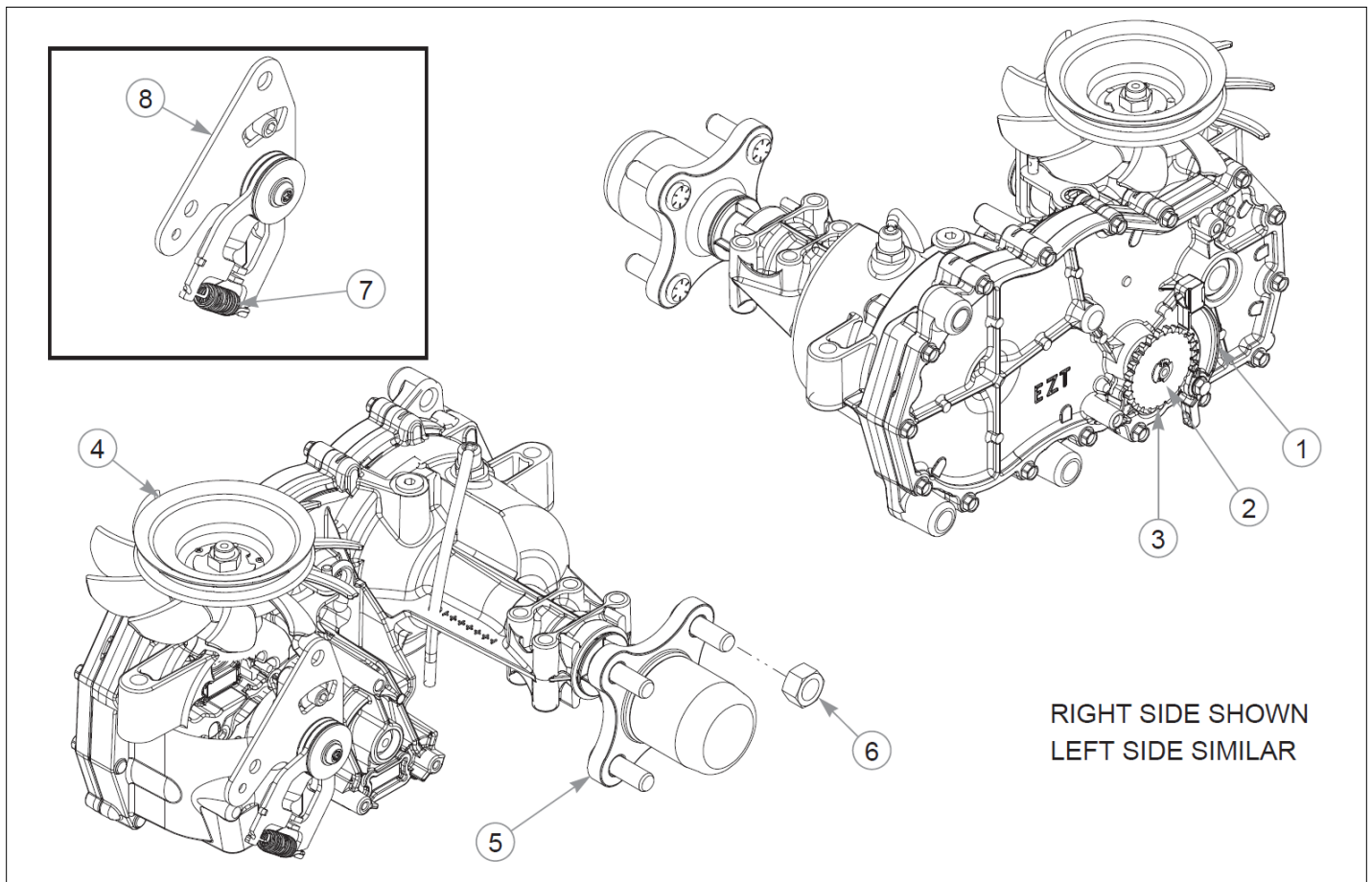


Elemento	Parte n.	Nome	Q.ta	Udm
1	710087	CS .312-18X2.500HXG5	4	EA
2	604343	CB .375-16 X 2.25 STD ZN	1	EA
3	043067	CS .312-18X3.000HXG5	4	EA
4	016899	NT .375-16 FLKG5	2	EA
5	603907	BELT, DRIVE	1	EA
6	080655	CS .375-16X1.500HXG5	1	EA
7	767954	FW 0.379 x 0.813 x 0.063	10	EA
8	604491	PULLEY, 2.0" IDLER	1	EA
9	604490	SPRING, 3.00 X .50 EXT	1	EA
10	005108	CS .375-16X3.500HXG5	1	EA
11	116289	SPACER, PIVOT IDLER	1	EA
12	116287	IDLER ARM	1	EA
13	712893	FW 0.406X1.250X0.120	1	EA
14	086660	NT .375-16NLG8	1	EA
15	054502	NT .375-16HXG5	5	EA
16	706549	HP0.080X1.190	2	EA
17	116218	LINK, TOW VALVE	2	EA
18	768523	FW 0.343SAE	16	EA
19	058776	NT .312-18NLG5	8	EA
20	056036	CS .375-16X2.250HXG5	4	EA
21	123634-3	CROSS BRACE, HYDROSTAT	1	EA
22	604127	EZT, 19.2:1 TRANS	1	EA
23	604128	EZT, 19.2:1 TRANS	1	EA
24	116143	ROD, BRAKE ACTUATOR	2	EA
25	768515	FW 0.281SAE	8	EA
26	601051	OVERTRAVEL SPRING	2	EA
27	068551	NT .250-20 HXZY NL	2	EA
28	601131	SPRING, BRAKE ARM RET.	2	EA



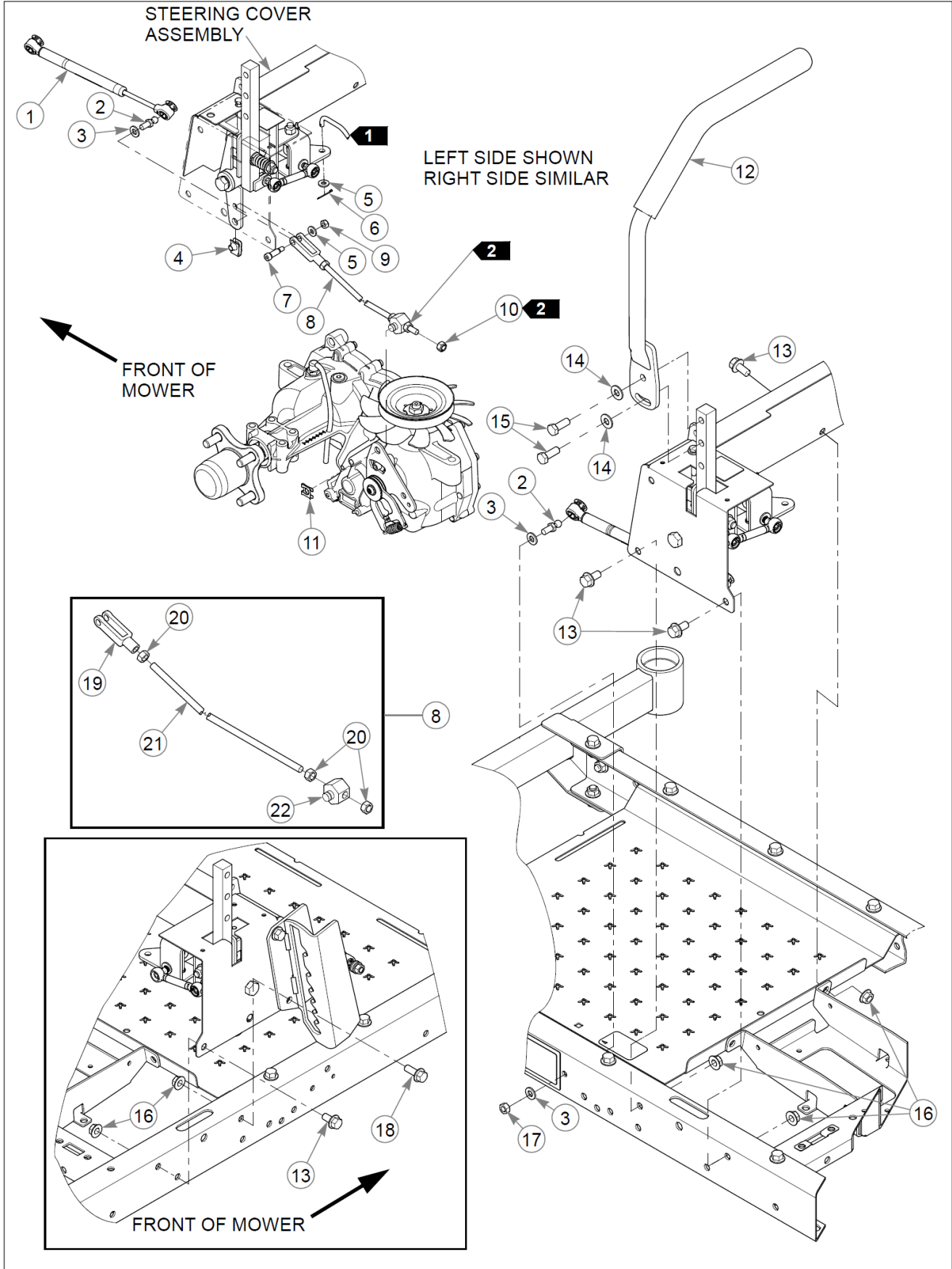


Transmissions & Steering



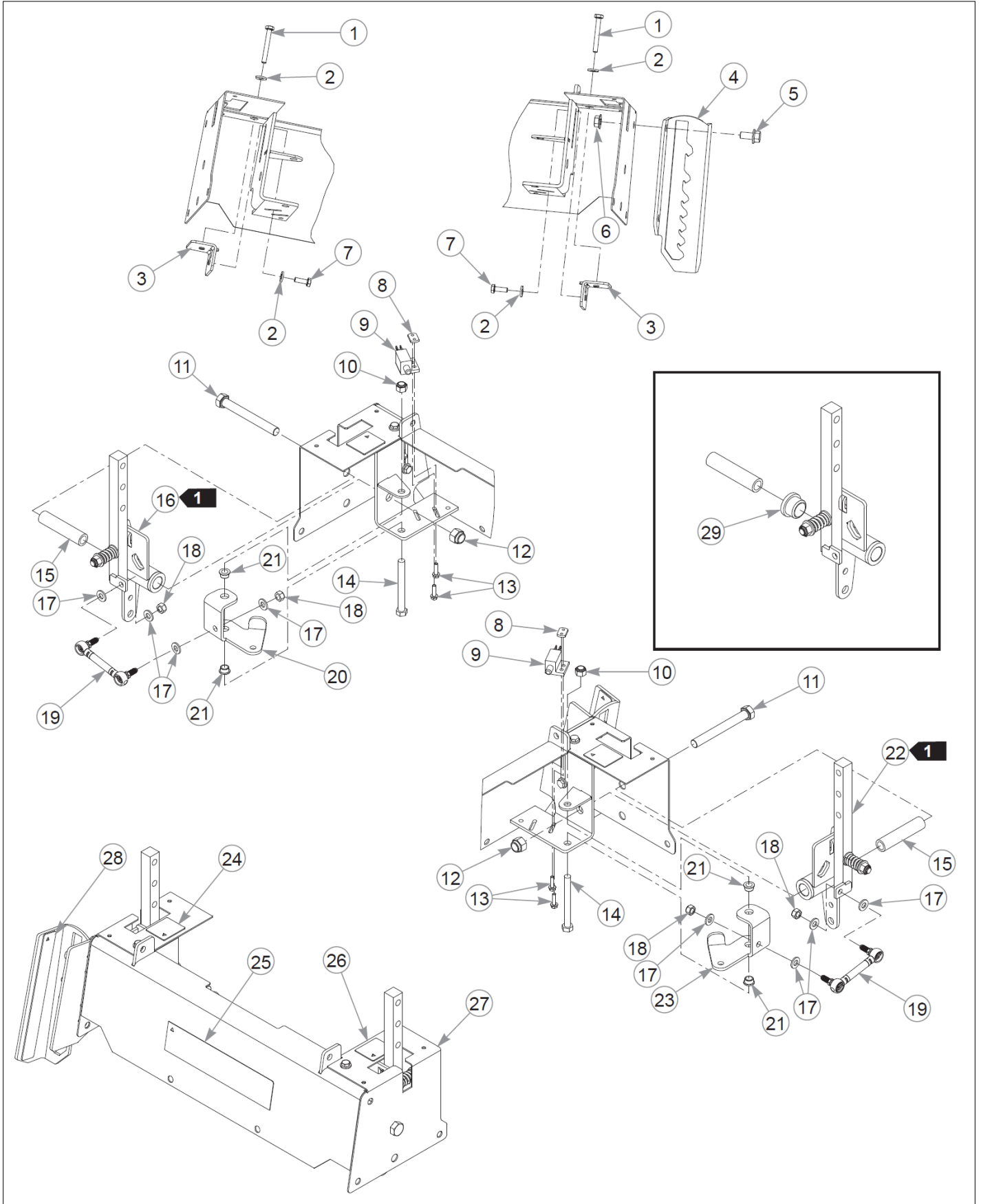
Elemento	Parte n.	Nome	Q.ta	Udm
1	795047	PARKING PAWL KIT, EZT	1	EA
2	798371	RING, RETAINING	1	EA
3	798363	GEAR, PARK BRAKE	1	EA
4	602094	FAN / PULLEY KIT	1	EA
5	601433	KIT, HUB 4 BOLT	1	EA
<p>Commenti per num parte 601433</p> <p>brian on May 7, 2015</p> <p>CUSTOMER SERVICE NOTE:</p> <p>Lug Studs are not sold separately.</p>				
6	788877	NUT, H-G ZT HUB	1	EA
7	604903	HG RTN SPRING	1	EA
8	604901	HG RTN CW	1	EA
Not Shown	604902	HG RTN CCW	1	EA

Transmissions & Steering



Elemento	Parte n.	Nome	Q.ta	Udm
1	603983	DAMPER	2	EA
2	781922	BALL STUD, DAMPER	4	EA
3	768523	FW 0.343SAE	6	EA
4	601069	CN .312-18x.200 MAX THK	2	EA
5	768515	FW 0.281SAE	4	EA
6	048553	CP .062DX1.000 LG HML Z	2	EA
7	772483	SB0.312X0.750SH0.250-20	2	EA
8	605273	STEERING ROD S/A	2	EA
9	068551	NT .250-20 HXZY NL	2	EA
10	023655	NT .312-24NLG5	2	EA
11	606575	CLIP, SAFETY	2	EA
12	110370	STEERING BAR W/ GRIP	2	EA
Not Shown	781260	GRIP, STEERING BAR	1	EA
13	029629	CS .375-16X0.750FLK	5	EA
14	767954	FW 0.379 x 0.813 x 0.063	4	EA
15	36244	CS .375-16X1.000HXG5	4	EA
16	016899	NT .375-16 FLKG5	6	EA
17	034272	NT .312-18HXG5	2	EA
18	029751	CS .375-16X1.000 HXFLK	1	EA
19	604173	YOKE, 5/16-24	2	EA
20	041152	NT .312-24 HX ZNYC	6	EA
21	603905	ROD, STEERING	2	EA
22	116144	BLOCK, STEERING CONTROL	2	EA

Transmissions & Steering



Elemento	Parte n.	Nome	Q.ta	Udm
1	604452	CS .250-20x2.00 HX FLTHD	2	EA
2	768515	FW 0.281SAE	4	EA
3	605529	STOP, STEERING	2	EA
4	551912	SERVICE, LATCH	1	EA
5	029629	CS .375-16X0.750FLK	1	EA
6	016899	NT .375-16 FLKG5	1	EA
7	055939	CS .250-20X0.750HXG5	2	EA
8	601822	NUT PLATE, .420 CENTERS	2	EA
9	781211	SWITCH, PUSH BUTTON	2	EA
10	086660	NT .375-16NLG8	2	EA
11	781708	CS .500-13X4.250HXG5	2	EA
12	781567	NT .500-13NLG5	2	EA
13	063198	CS #10-24X0.750FLKG5	4	EA
14	005108	CS .375-16X3.500HXG5	2	EA
15	604288	SPACER, STEERING	2	EA
16	606106	STEERING BOX SUB, LH	1	EA
Not Shown	604300	STEERING BOX SUB, LH	1	EA
17	768523	FW 0.343SAE	8	EA
18	058776	NT .312-18NLG5	4	EA
19	604179	BRAKE LINK	2	EA
20	116142	BRAKE BLCRNK, LH	1	EA
21	765339	BUSHING,IGUS#0608 (FS)	4	EA
22	606105	STEERING BOX SUB, RH	1	EA
Not Shown	604299	STEERING BOX SUB, RH	1	EA
23	116141	BRAKE BLCRNK, RH	1	EA
24	785220	DECAL, STEERING R.S.	1	EA
25	604195	DECAL ID, RAPTOR	1	EA
26	785139	DECAL, STEERING L.S.	1	EA

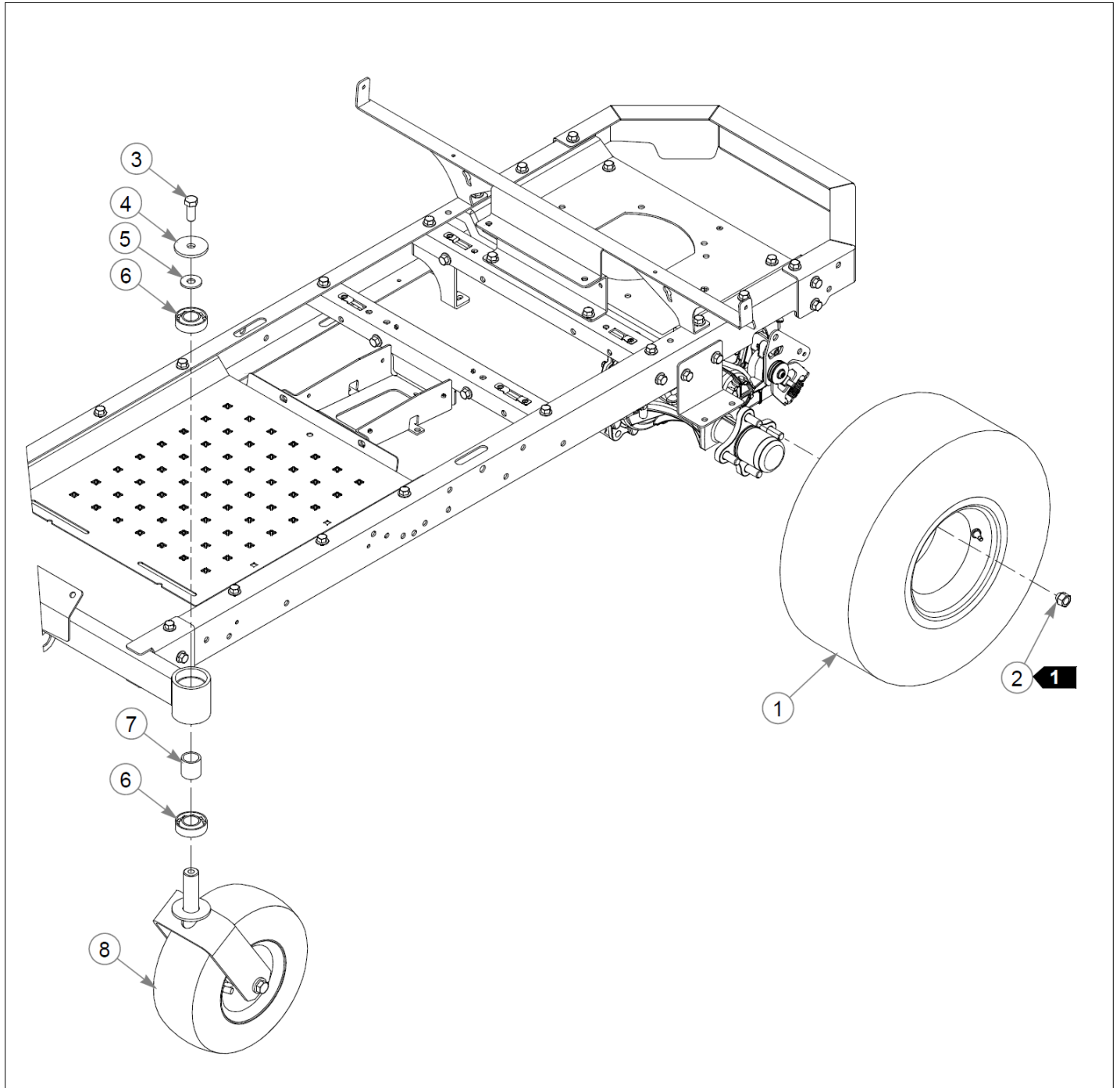
Elemento	Parte n.	Nome	Q.ta	Udm
27	551698	STEERING COVER, SERVICE	1	EA
28	604275	DECAL, DECK HEIGHT	1	EA
29	781153	BUSHING, UHMW	2	EA

Comments for Page: Steering Cover Assembly

jmumford@excelii.com on Apr 10, 2017

1. The latch and steering cover include decals.
2. 606105 & 606106 are used on mowers S/N 16025348 & higher.  
604299 & 604300 are used on mowers S/N prior to 16025348.

Wheels & Tires





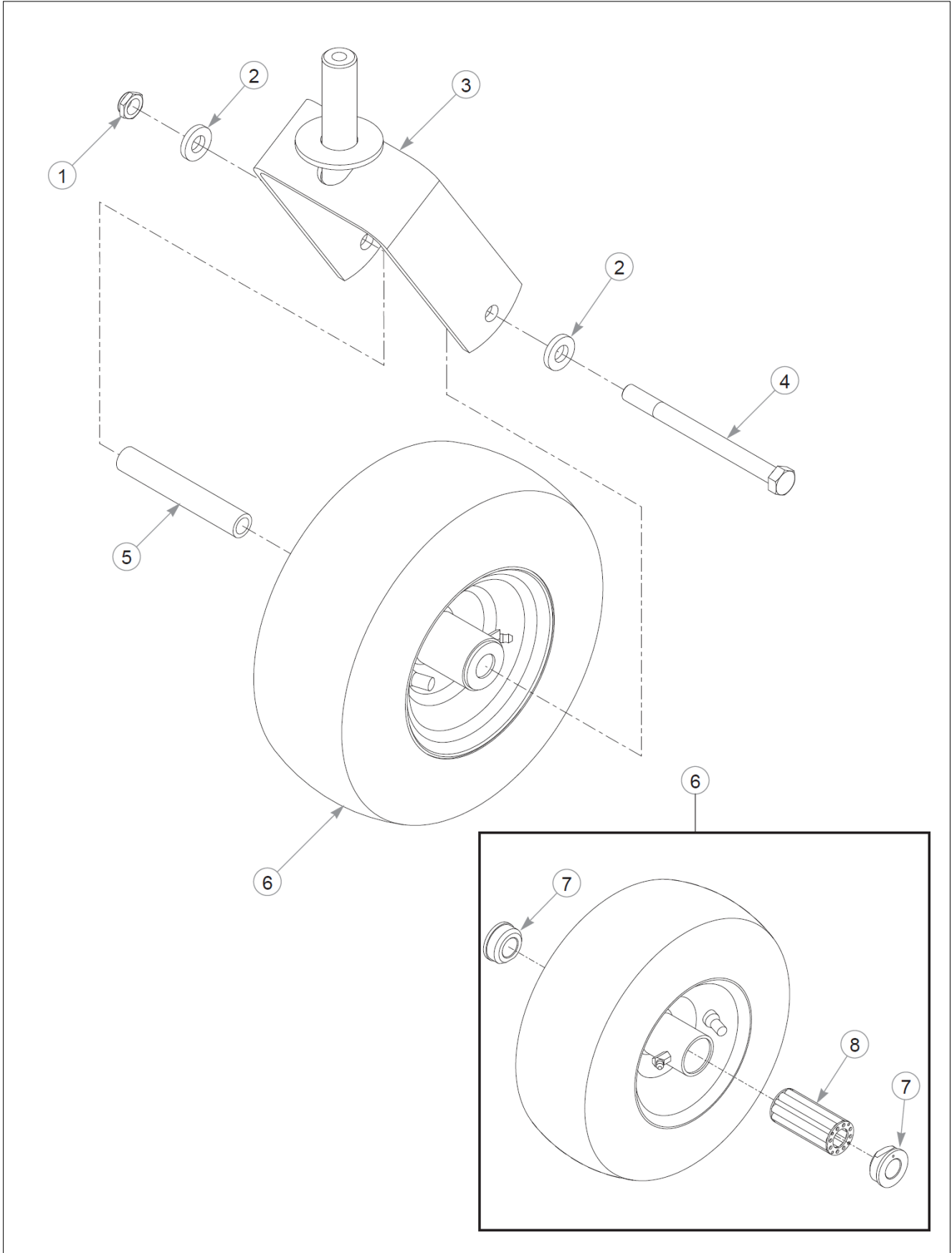
Elemento	Parte n.	Nome	Q.ta	Udm
1	604013	TIRE/WHEEL ASSY	2	EA
2	061077	WHEEL NUT	8	EA
3	705954	CS .500-13X1.250HSG5	2	EA
4	344267	FW .510X 2.15X.187 SPL	2	EA
5	712976	FW 0.531X1.375X0.125	2	EA
6	784223	BEARING	4	EA
7	784603	SPACER	2	EA
8	N/A	FRONT WHEEL ASSEMBLY	1	EA

Comments for Page: Wheel & Tire

jmumford@excelii.com on Apr 10, 2017

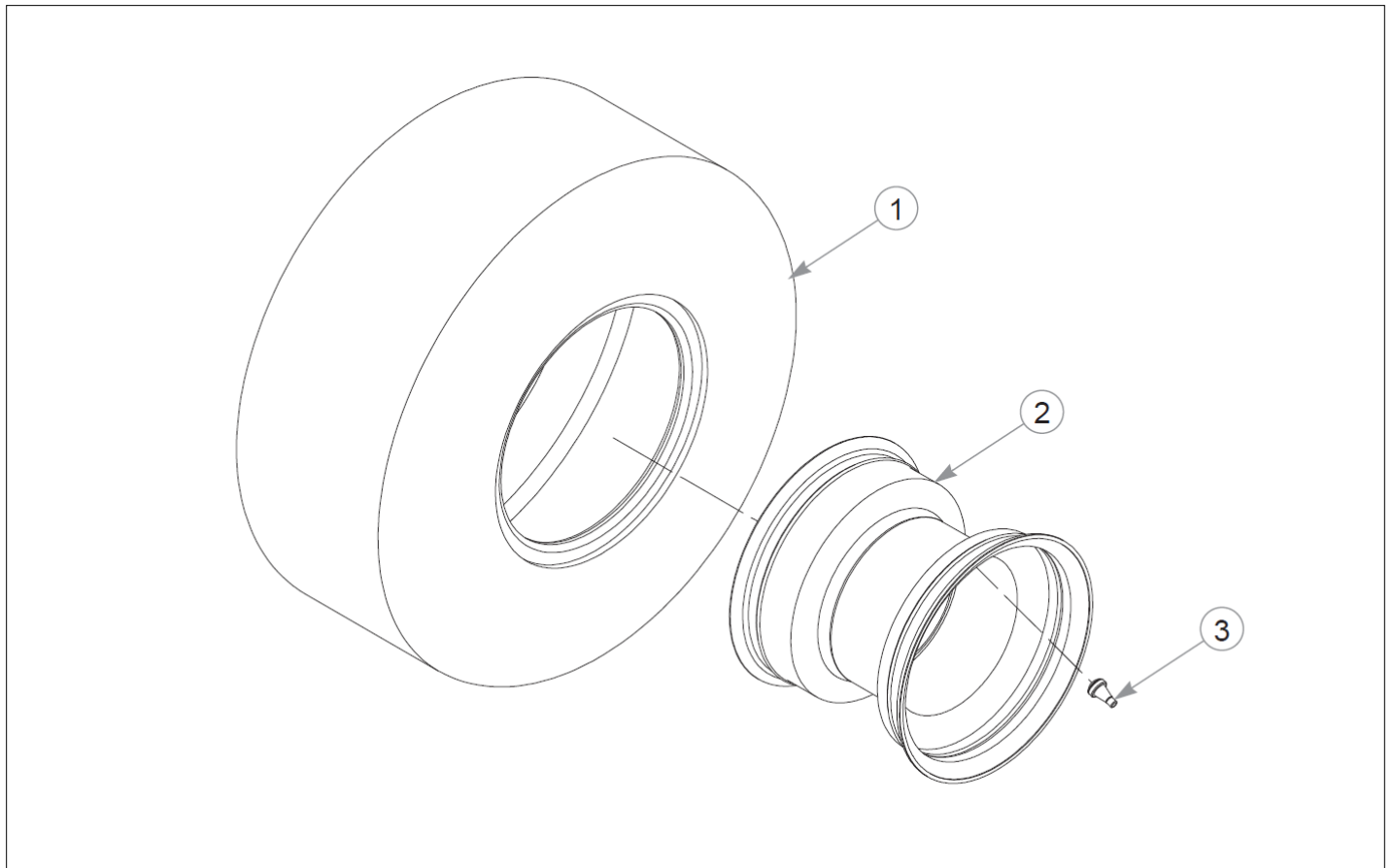
1. Torque to 88–102 N•m.

Wheels & Tires



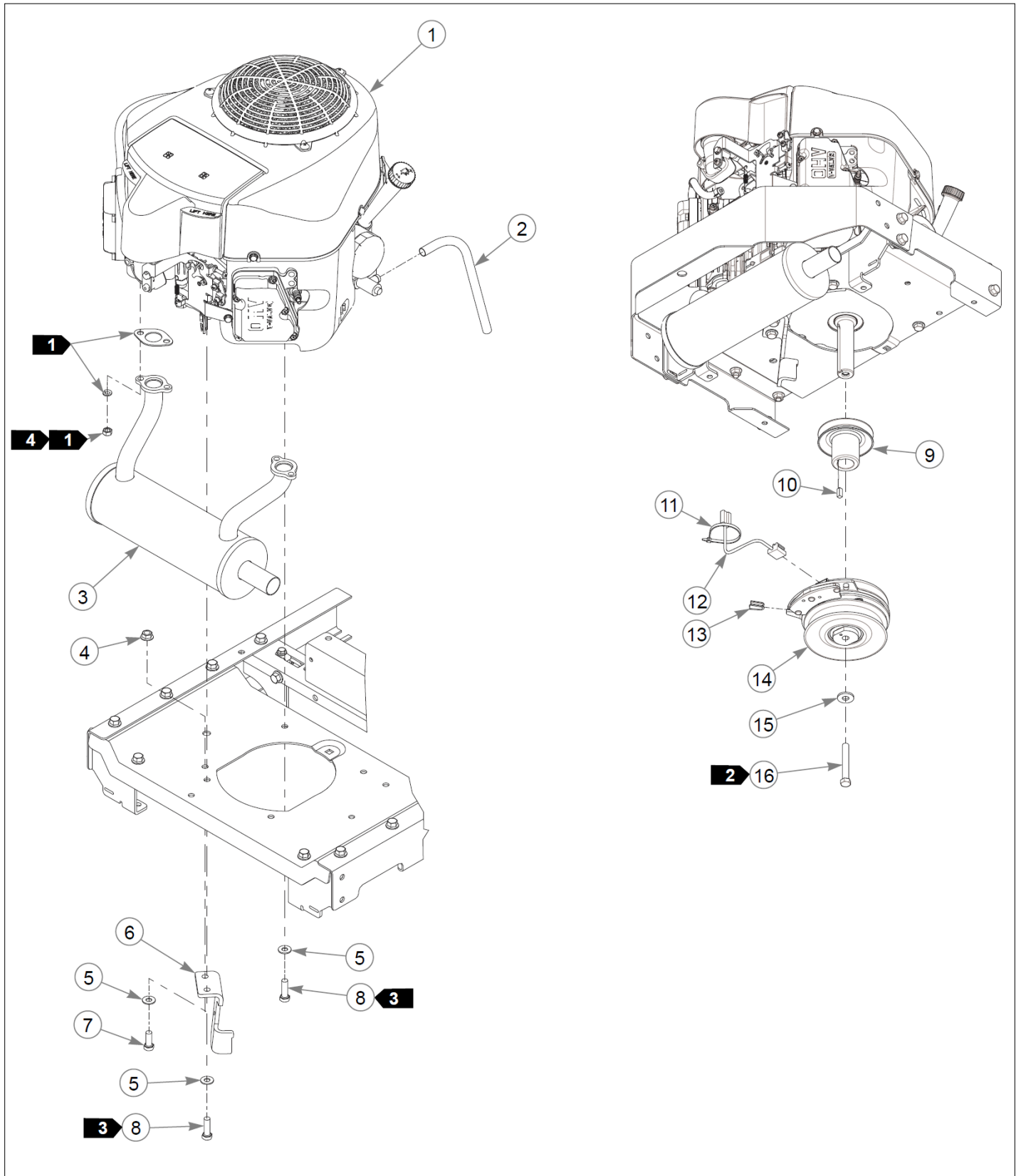
Elemento	Parte n.	Nome	Q.ta	Udm
1	707398	NT .500-13 JAM NY LK	1	EA
2	767962	FW .531 x 1.063 x .175	2	EA
3	110116	CASTER FORK W/A	1	EA
4	604718	CS .500-13 X 6.00 HX G5	1	EA
5	306969	GAGE WHEEL SPACER	1	EA
6	605113	TIRE/WHEEL ASSY 11X4	1	EA
Not Shown	768044	TIRE/WHL 11x4-5 RIBBED	1	EA
7	772806	BEARING CAP	2	EA
8	772814	BEARING, 3/4" ROLLER	1	EA

Wheels & Tires

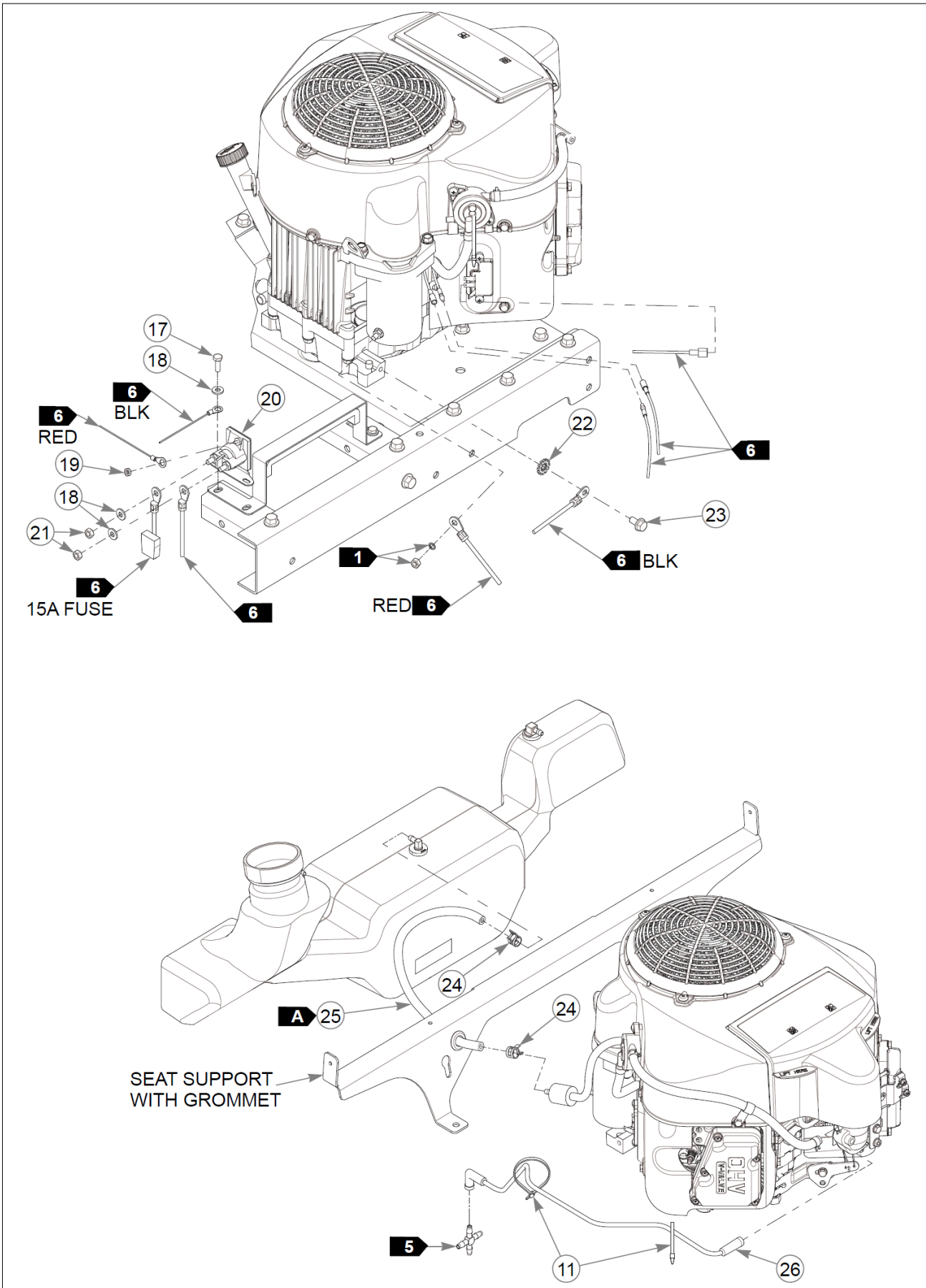


Elemento	Parte n.	Nome	Q.ta	Udm
1	604267	TIRE, 18X8.5-8	1	EA
2	601820	WHEEL 8 X 6.93	1	EA
3	019521	TIRE VALVE TR-412 GOODY	1	EA

### Engine & Fuel System



Elemento	Parte n.	Nome	Q.ta	Udm
1		ENGINE, KAW FR691V	1	EA
2	604463	HOSE, OIL DRAIN	30cm	FT
3	604016	MUFFLER, FR730V	1	EA
4	016899	NT .375-16 FLKG5	1	EA
5	767954	FW 0.379 x 0.813 x 0.063	5	EA
6	121625	CLUTCH ANCHOR	1	EA
7	036244	CS .375-16X1.000HXG5	1	EA
8	602580	CS .375-16x1.25 HXG8 P85	4	EA
9	605574	PULLEY, ENG 4.094OP	1	EA
10	712372	KEY 1/4 SQ X 0.66 LG(FS)	1	EA
11	000331	WIRE TIE, SMALL/SHORT	3	EA
12	791251	HARNESS, CLUTCH PIGTAIL	1	EA
<p>Commenti per num parte 791251</p> <p>brian on Aug 28, 2015</p> <p>Pigtail was updated with epoxy to hold the wires steady. The wire sheath was also updated to a more flexible material.</p>				
13	605595	BUSHING, CLUTCH	1	EA
14	605827K	CLUTCH KIT	1	EA
15	602680	FW .453X 1.12X .119 HRD	1	EA
16	785048	CS .437-20X3.00 HXG5 P85	1	EA
17	055939	CS .250-20X0.750HXG5	2	EA
18	768515	FW 0.281SAE	4	EA
19	044255	NT #10-32HXG5	1	EA
20	030817	STARTER SOLENOID HW KIT	1	EA
21	024927	NT .250-20HXG5	2	EA
22	029876	LW 0.312 INT-EXT	1	EA
23	720516	CS M8-1.25X16HX FL10.9	1	EA
24	000323	CLIP, HOSE CLAMP	2	EA
25	015818	FUEL LINE, 1/4"	46 cm	IN





Elemento	Parte n.	Nome	Q.ta	Udm
26	604274	VAPOR LINE, 3/16 FORMED	1	EA

Comments for Page: Engine (Multi-Page)

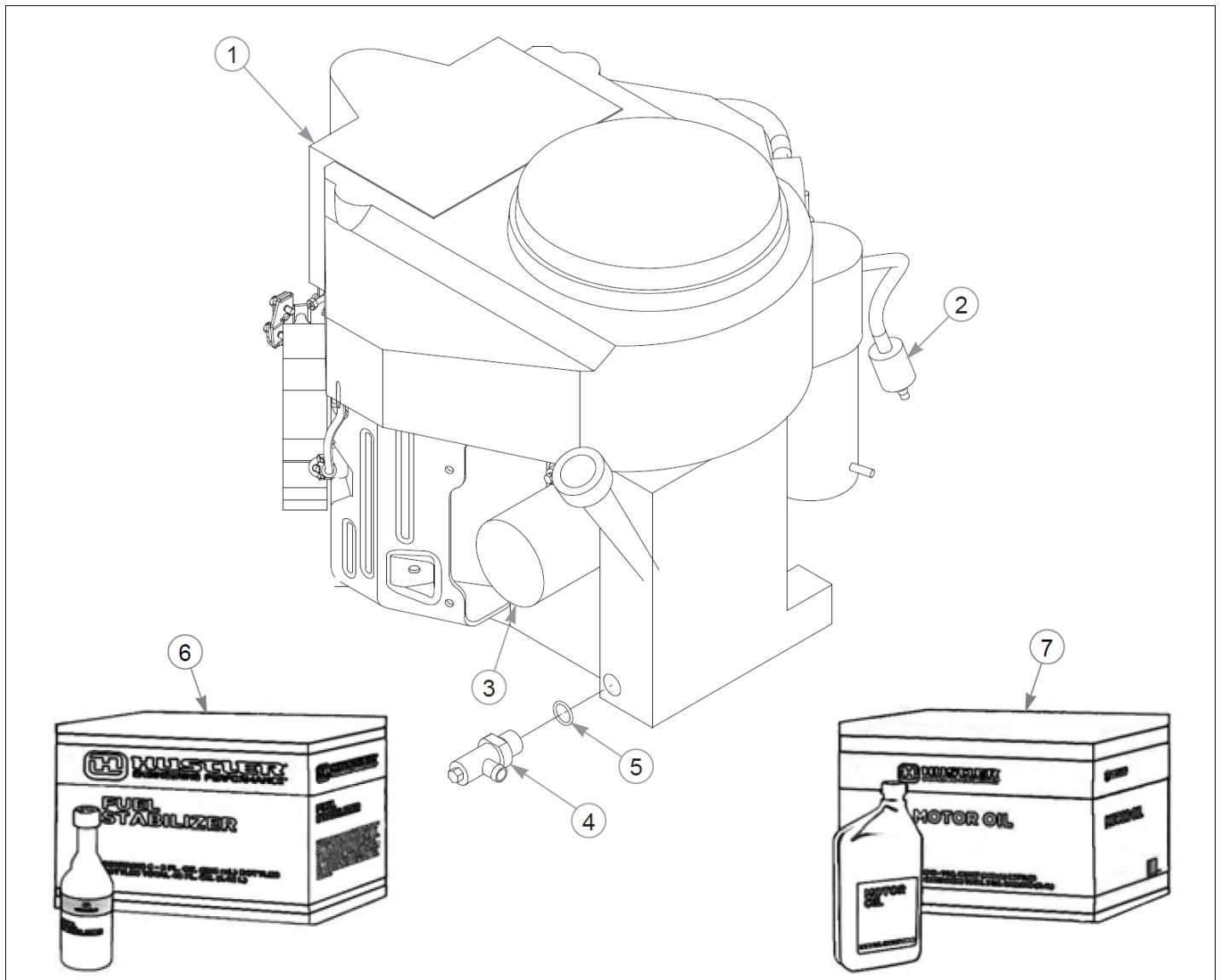
jmumford@excelii.com on Apr 10, 2017

FUEL LINE LENGTH

A: 46 cm TANK TO FUEL FILTER (FUEL)

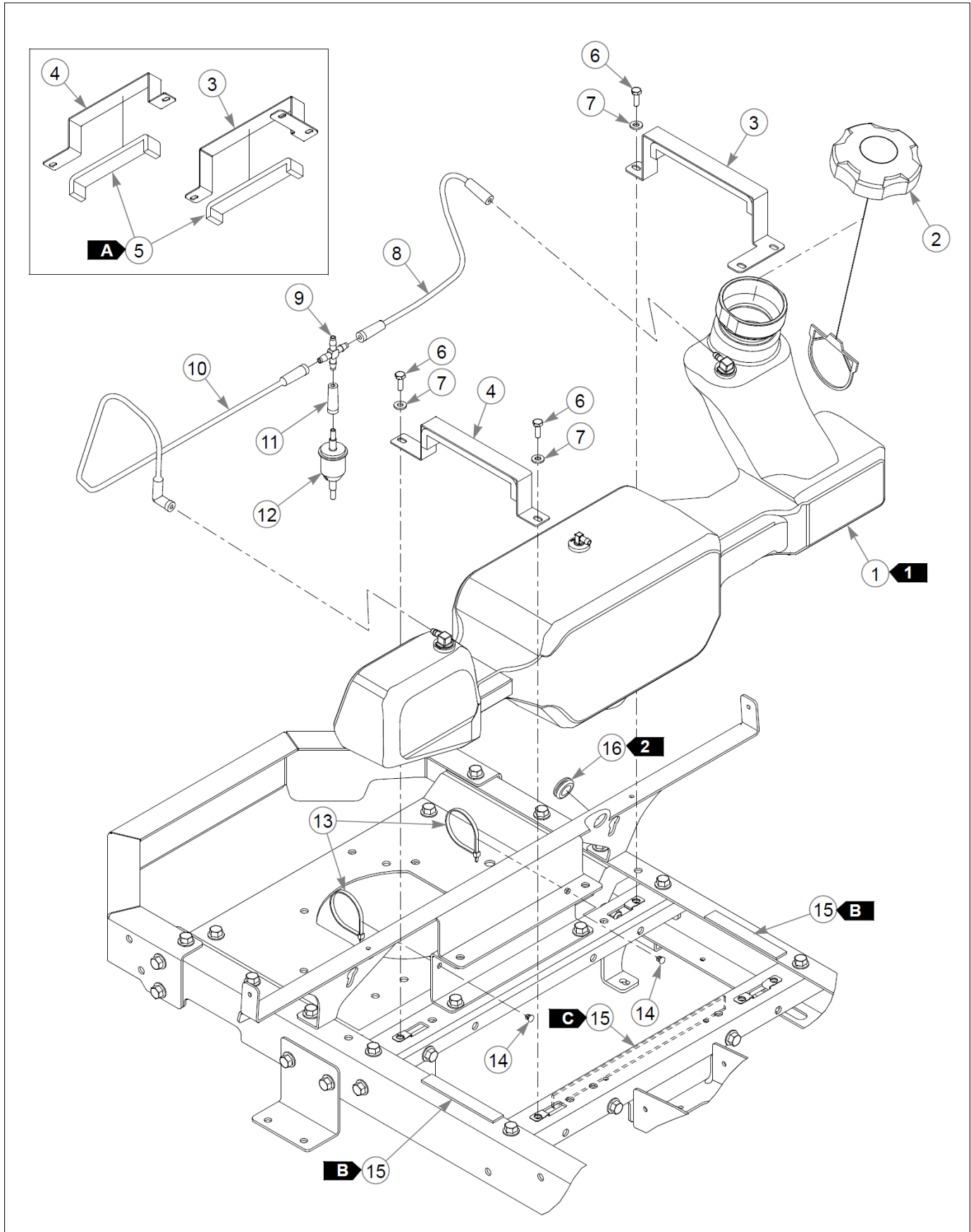
1. Supplied with the engine.
2. Torque to 61–65 N•m. Replace (do not reuse) the cap screw if removed or loosened.
3. Torque to 41–47 N•m. Replace (do not reuse) the cap screw if it is removed or loosened.
4. Torque to 30 N•m.
5. Part of the fuel system.
6. Part of the wire harness.

Engine & Fuel System



Elemento	Parte n.	Nome	Q.ta	Udm
1	603059	AIR FILTER, KAW	1	EA
2	068478	FUEL FILTER IN-LINE	1	EA
3	602581	OIL FILTER, KAW ENG.	1	EA
4	604350	VALVE, OIL DRAIN	1	EA
5	604369	O-RING	1	EA
6	606531	FUEL STABILIZER, CARTON	1	EA
<p>Commenti per num parte 606531</p> <p>brian on Sep 14, 2017 CONTAINS 6 - 8 FL. OZ. BOTTLES PER CASE</p>				
7	606535	OIL 10W-30, CARTON	1	EA
<p>Commenti per num parte 606535</p> <p>brian on Sep 14, 2017 CONTAINS 12 - 1 U.S. QUART BOTTLES PER CASE</p>				

Engine & Fuel System



Elemento	Parte n.	Nome	Q.ta	Udm
1	605958	ASSEMBLY. FUEL TANK	1	EA
<p>Commenti per num parte 605958</p> <p>brian on Jul 7, 2015</p> <p>FUEL TANK HAS NO SERVICEABLE PARTS. MUST ORDER COMPLETE FUEL TANK.</p>				
604336	605958	ASSEMBLY. FUEL TANK	1	EA
<p>Commenti per num parte 605958</p> <p>brian on Jul 7, 2015</p> <p>FUEL TANK HAS NO SERVICEABLE PARTS. MUST ORDER COMPLETE FUEL TANK.</p>				
2	603807	CAP, 3.5" RATCHETING GAS	1	EA
3	117059	TANK MNT LEFT	1	EA
4	117060	TANK MNT RIGHT	1	EA
5	713198	SEAL 3/8x3/4 SOLD BY FT	47 cm	FT
6	055939	CS .250-20X0.750HXG5	3	EA
7	768515	FW 0.281SAE	3	EA
8	604279	VAPOR LINE, 3/16 FORMED	1	EA
9	604322	1/4" HOSE BARB CROSS	1	EA
10	604273	VAPOR LINE, 3/16 FORMED	1	EA
11	604292	BOOT, 3/16" TO 1/4" BARB	1	EA
12	604323	FILTER, VAPOR SYSTEM	1	EA
13	000331	WIRE TIE, SMALL/SHORT	2	EA
14	604307	MOUNT, PUSH BUTTON	2	EA
15	033035	WEATHERSTRIP .12X.75	56 cm	FT
16	601400	GM .63 x1.13 x.88 x .13	1	EA

Comments for Page: Fuel System

jnumford@excelii.com on Mar 28, 2016

1. 605958 is used on mowers S/N 15079323 & higher. 604336 is used on mowers prior to S/N 15079323.
2. 601400 is used on mowers S/N 15079323 & higher.

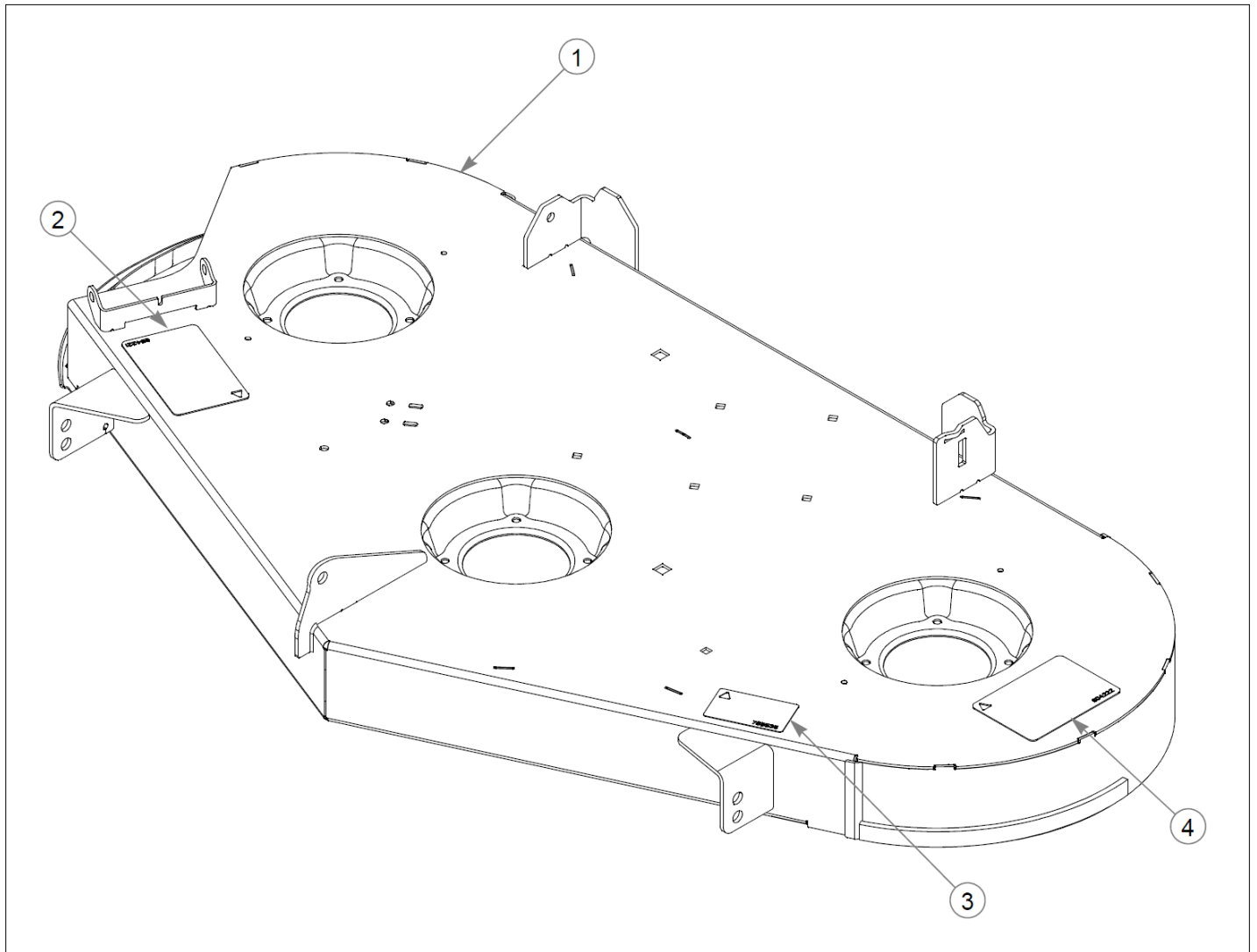
Seal & Weatherstrip lengths:

A: 23.5 cm

B: 13 cm

C: 30 cm

Deck



Elemento	Parte n.	Nome	Q.ta	Udm
1	551770	SVC, DECK DECAL ASSY	1	EA
2	604221	DECAL, DANGER / CHUTE	1	EA
3	785535	DECAL, 52 DECK ID	1	EA
4	604222	DECAL, DANGER / OBJECTS	1	EA

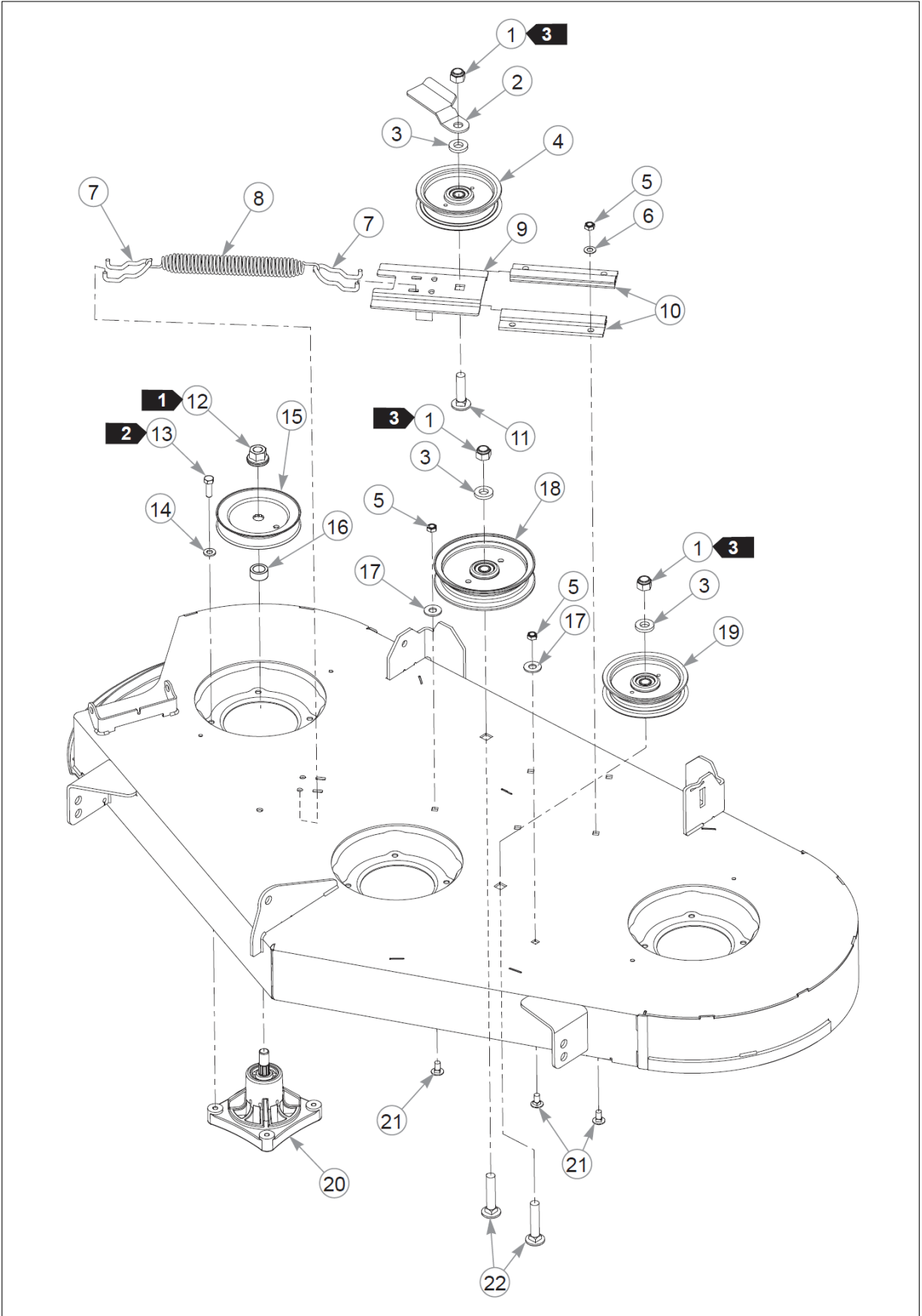
Comments for Page: Service Deck

jmumford@excelii.com on Oct 25, 2016

1. The deck includes the decals.



Deck



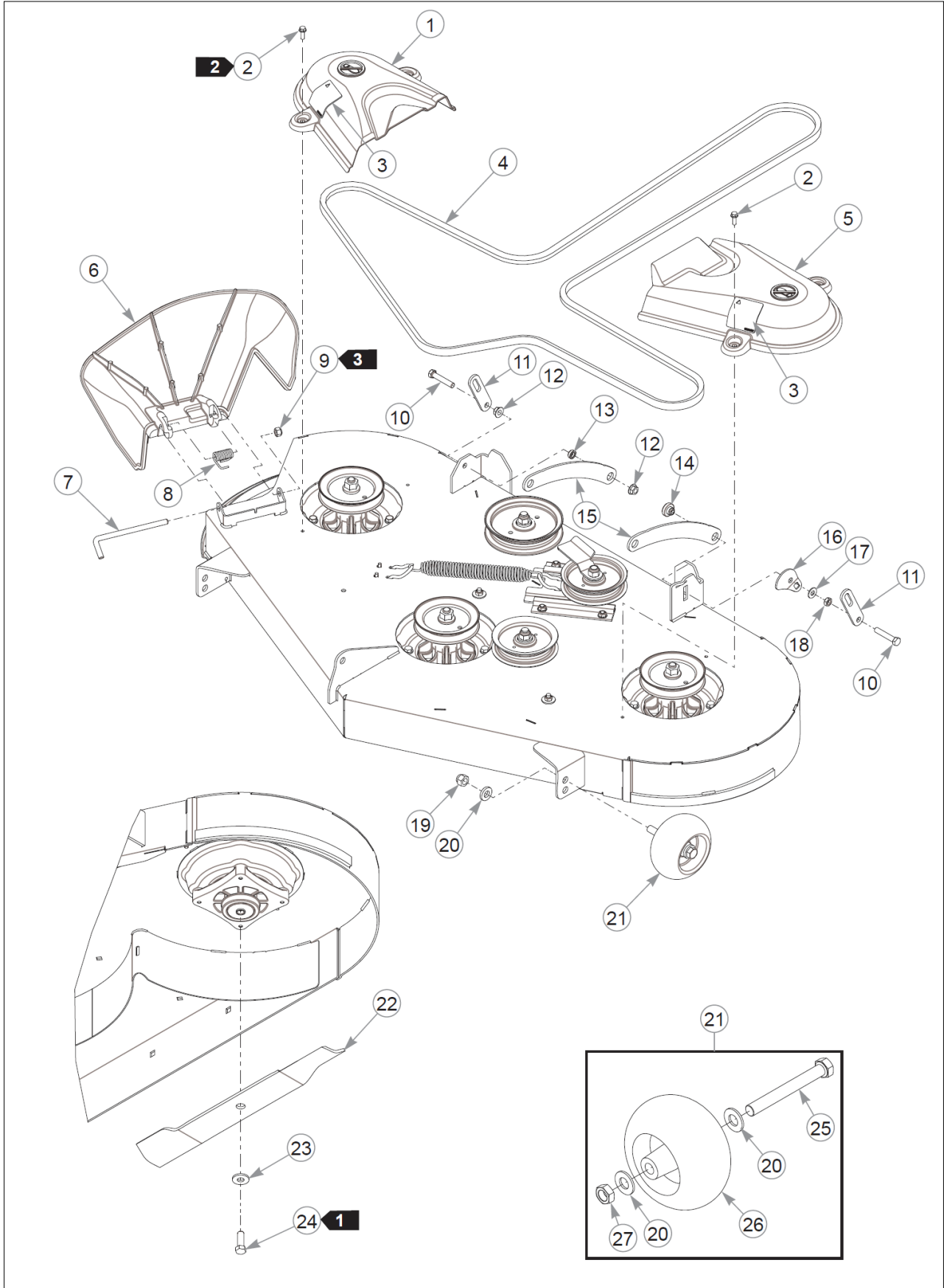
Elemento	Parte n.	Nome	Q.ta	Udm
1	781567	NT .500-13NLG5	3	EA
2	121780	BELT GUIDE	1	EA
3	767962	FW .531 x 1.063 x .175	3	EA
4	603986	IDLER PULLEY, 4.00" FLAT	1	EA
5	604251	NT .312-18 HXNL JAM G2ZN	6	EA
6	604252	FW .340 X .675 X .035 ZN	4	EA
7	604110	ANCHOR, SPRING TENSIONER	2	EA
8	122388	SPRING	1	EA
9	604194	SLED, IDLER	1	EA
10	604079	IDLER SLIDE, EXTRUDED	2	EA
11	604253	CB .50-13 X 2.00 STD ZN	1	EA
12	606943	NT .562-18 HX NLG5	3	EA
13	036236	CS .312-18X1.000HXG5	12	EA
14	768523	FW 0.343SAE	12	EA
15	603988	PULLEY, DRIVE "B-SEC"	3	EA
16	604123	SPACER, PULLEY	3	EA
17	017129	FW .440X1.000X0.083	2	EA
18	604231	PULLEY, IDLER 5.00" O.D.	1	EA
19	604219	IDLER PULLEY, 4.00" FLAT	1	EA
20	604214	SPINDLE ASSY, RAPTOR	3	EA
21	083147	CB .312-18X .620 G5 ZN	6	EA
22	604254	CB .50-13 X 2.50 STD ZN	2	EA

Comments for Page: Deck Pulleys & Spindles

jmumford@excelii.com on Apr 10, 2017

1. Torque to 68–102 N•m.
2. Torque to 24 N•m.
3. Torque to 99 N•m.

Deck



Elemento	Parte n.	Nome	Q.ta	Udm
1	552613	SVC PULLEY COVER CE RS	1	EA
2	604324	CS .250-20 X .75 HX FLG	4	EA
3	602562	DECAL, NO SERVICE	2	EA
4	791988	BELT,B 140.77" EL	1	EA
5	552614	SVC PULLEY COVER CE LS	1	EA
6	604268	DISCHARGE CHUTE	1	EA
7	604346	PIN, DISCHARGE CHUTE	1	EA
8	604331	CHUTE SPRING	1	EA
9	086660	NT .375-16NLG8	1	EA
10	606593	CS .375-16x2.00 HXG5 P85	2	EA
11	116157	LINK, DECK LIFT	2	EA
12	016899	NT .375-16 FLKG5	2	EA
13	601839	PIVOT SPACER BUSHING	1	EA
14	605016	NUT, DECK LEVELING	1	EA
15	116155	DECK LINK	2	EA
16	116911	CAM, DECK LEVELER	1	EA
17	767954	FW 0.379 x 0.813 x 0.063	1	EA
18	706168	NT .375-16JAMG5	1	EA
19	781567	NT .500-13NLG5	2	EA
20	767962	FW .531 x 1.063 x .175	6	EA
21	788166	WHEEL ASSY, ANTI SCALP	2	EA
22	603995	BLADE, 17.86" -M-F-CW	3	EA
Not Shown	783753	BLADE,17.86"-L-F-CW	3	EA
Not Shown	787721	BLADE,17.86"-H-F-CW	3	EA
Not Shown	603848	BLADE, 17.86"-CAT-F-CW	3	EA
Not Shown	794198	BLADE,17.86"-MUL-F-CW	3	EA
Not Shown	785436	BLADE,17.86"-GAT-F-CW	3	EA

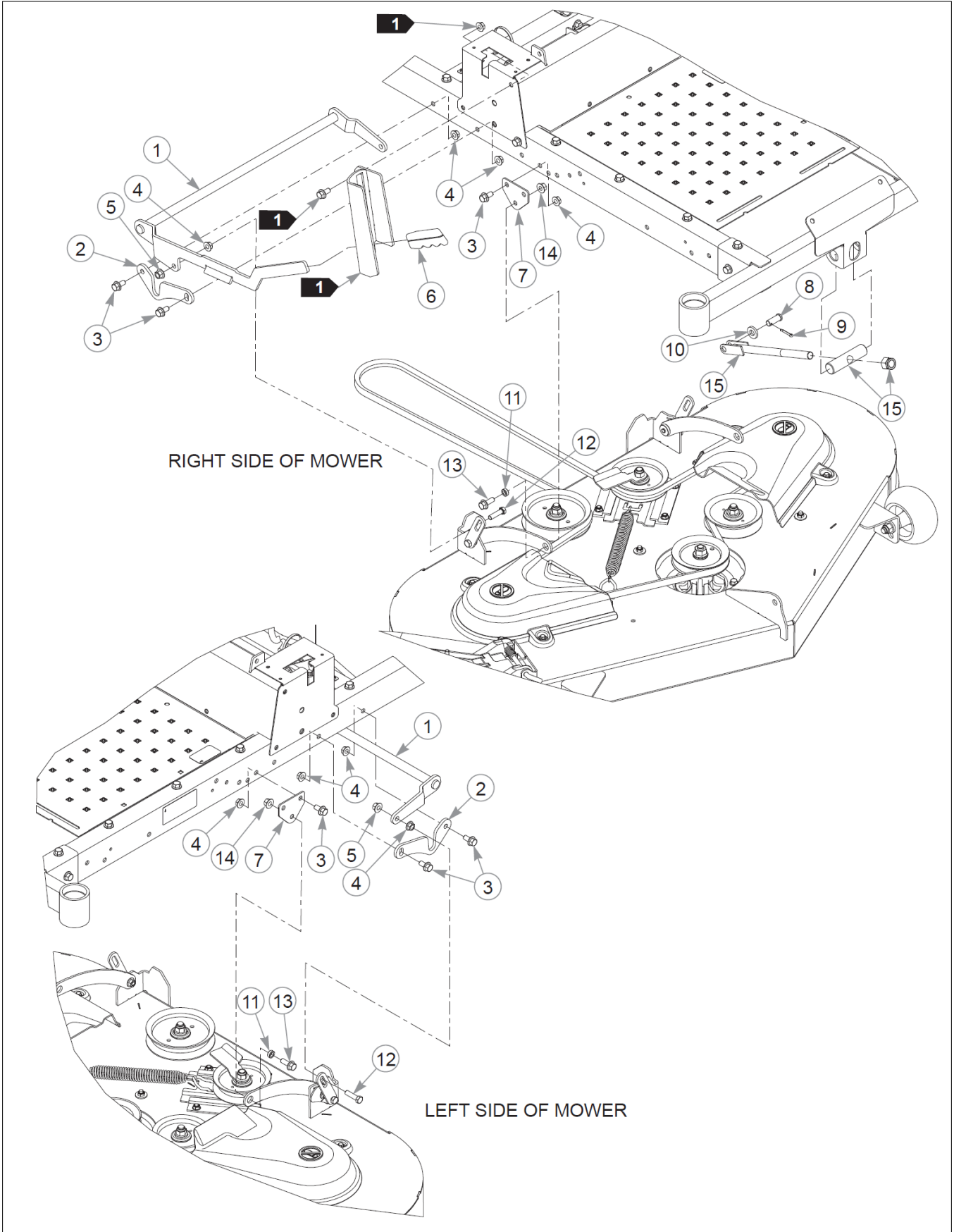
Elemento	Parte n.	Nome	Q.ta	Udm
23	602680	FW .453X 1.12X .119 HRD	3	EA
24	754101	CS .437-20X1.250HXG5	3	EA
25	781708	CS .500-13X4.250HXG5	1	EA
26	031997	ANTI-SCALP WHEEL	1	EA
27	053199	NT .500-13JAMG5	1	EA

Comments for Page: Deck

jmumford@excelii.com on Apr 10, 2017

1. Torque to 65 N•m.
2. Torque to 11 N•m on these 4 self-tapping screws.
3. Do not torque; the discharge chute must pivot freely.
4. The pulley covers include the decals.
5. The plastic wheel assembly includes the hardware.

Deck



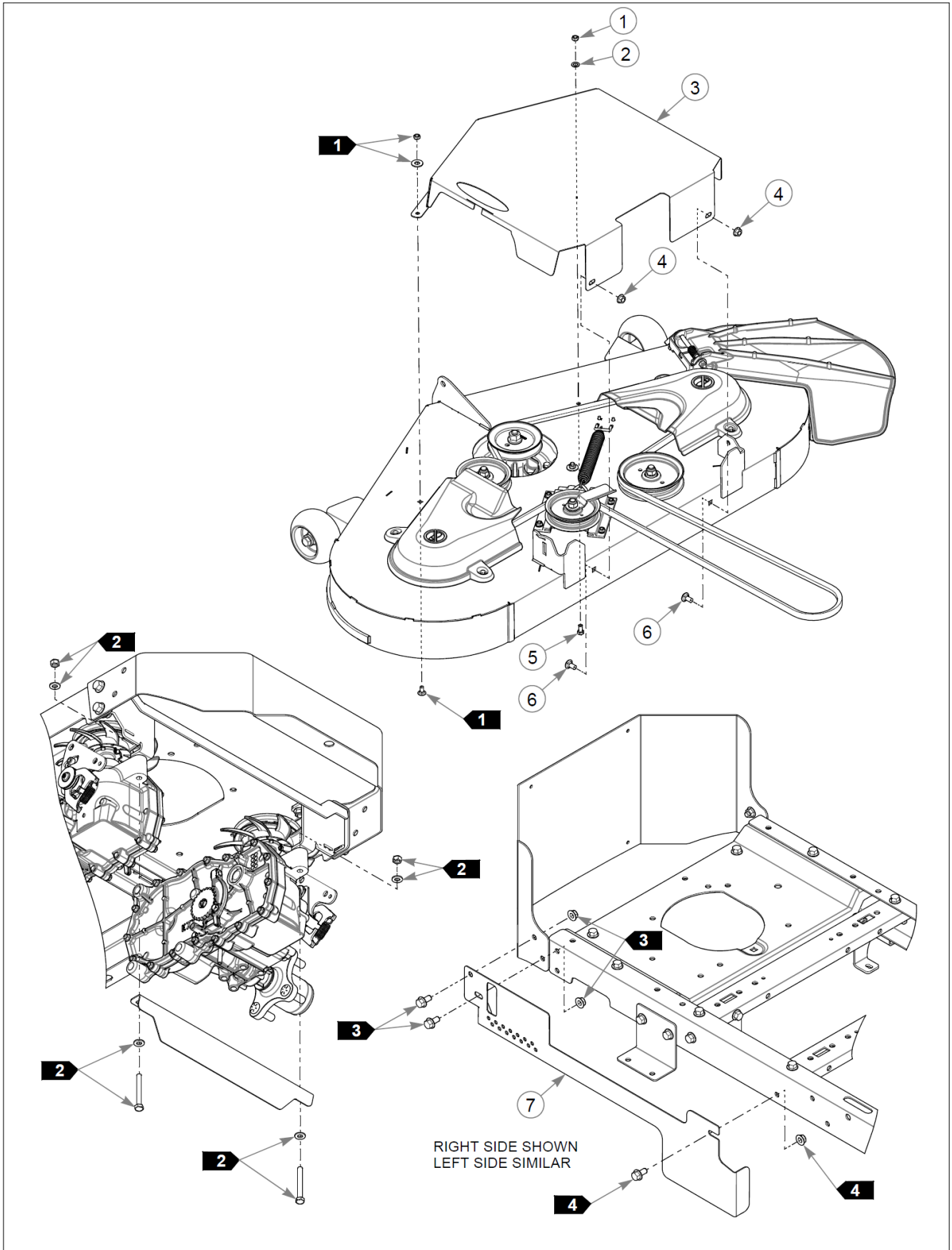
Elemento	Parte n.	Nome	Q.ta	Udm
1	120677	HANDLE W/A, DECK LIFT	1	EA
2	116151	PIVOT BLOCK, DECK LIFT	2	EA
3	029629	CS .375-16X0.750FLK	8	EA
4	016899	NT .375-16 FLKG5	10	EA
5	604515	NT .375-16 FL NY GF	2	EA
6	604377	GRIP, 1/4 X 1.000 BLACK	1	EA
7	116916	PLATE, DECK LINK	2	EA
8	027714	CE0.500X1.250X.156X1.093	1	EA
9	017251	CP .156DX1.000 LG HML Z	1	EA
10	767962	FW .531 x 1.063 x .175	1	EA
11	601839	PIVOT SPACER BUSHING	2	EA
12	005116	CS .375-16X1.375	2	EA
13	029751	CS .375-16X1.000 HXFLK	2	EA
14	604515	NT .375-16 FL NY GF	2	EA
15	121232	KIT, DECK PIVOT	1	EA

Commenti per num parte 121232

[jmumford@excelii.com](mailto:jmumford@excelii.com) on Sep 16, 2014

Kit contains Heavy Duty Deck Lift Rod, Heavy Duty Deck Lift Pivot, and Nut (P/N 058768).

Deck



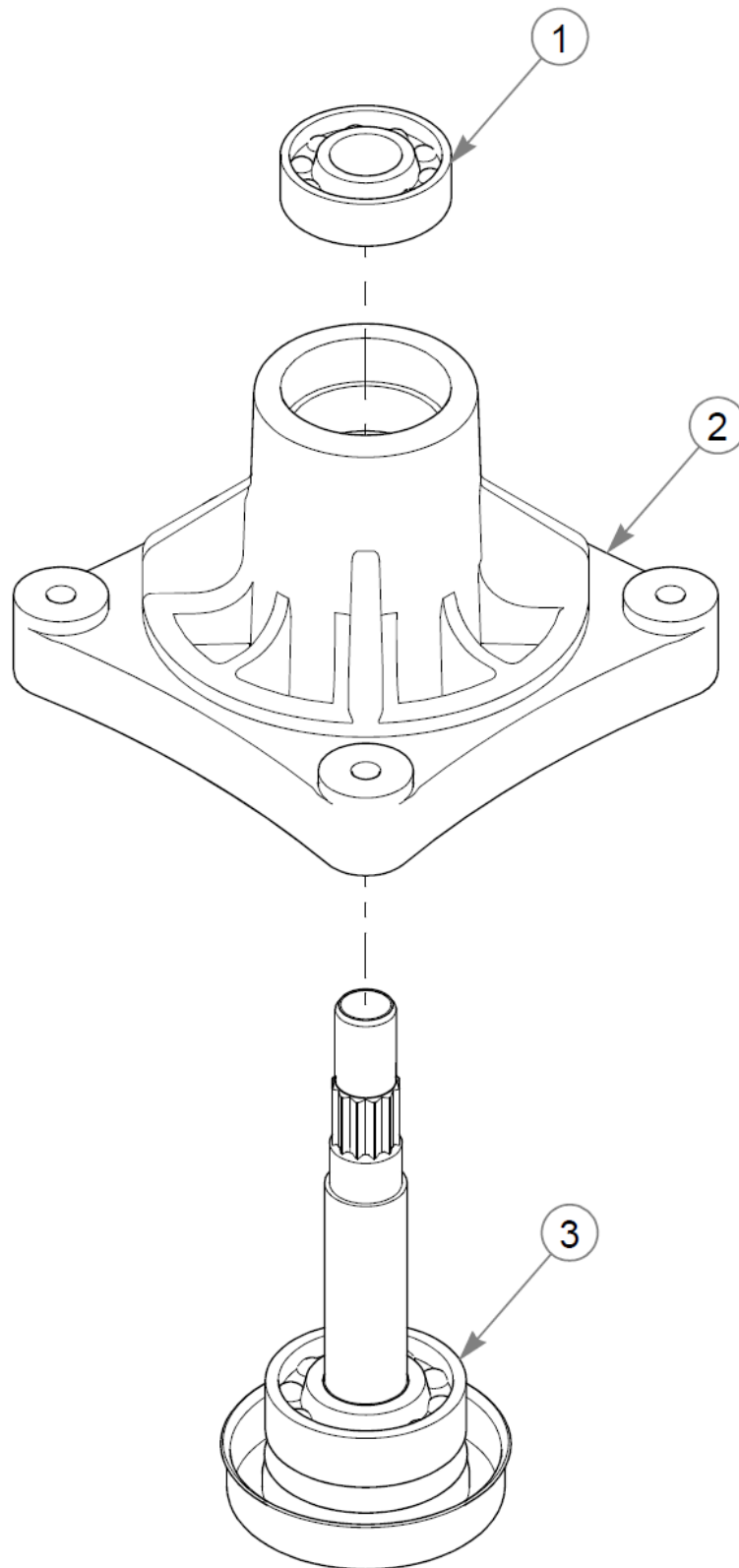


Elemento	Parte n.	Nome	Q.ta	Udm
1	604251	NT .312-18 HXNL JAM G2ZN	1	EA
2	704718	FW .406X .688X.060 ZNYC	1	EA
3	123632-1	GUARD, CLUTCH CE	1	EA
4	016899	NT .375-16 FLKG5	2	EA
5	064006	CS .312-18X0.625HXG5	1	EA
6	011320	CB .375-16X .750 STD ZN	2	EA
7	123630-1	GUARD, RS TRANS CE	1	EA
8	123629-1	GUARD, LS TRANS CE	1	EA

Comments for Page: Guards

jmumford@excelii.com on Apr 12, 2017

1. Part of the Deck Pulley Assembly.
2. Part of the Hydraulic System.
3. Part of the Engine Guard Assembly.
4. Part of the Deck Lift Assembly.

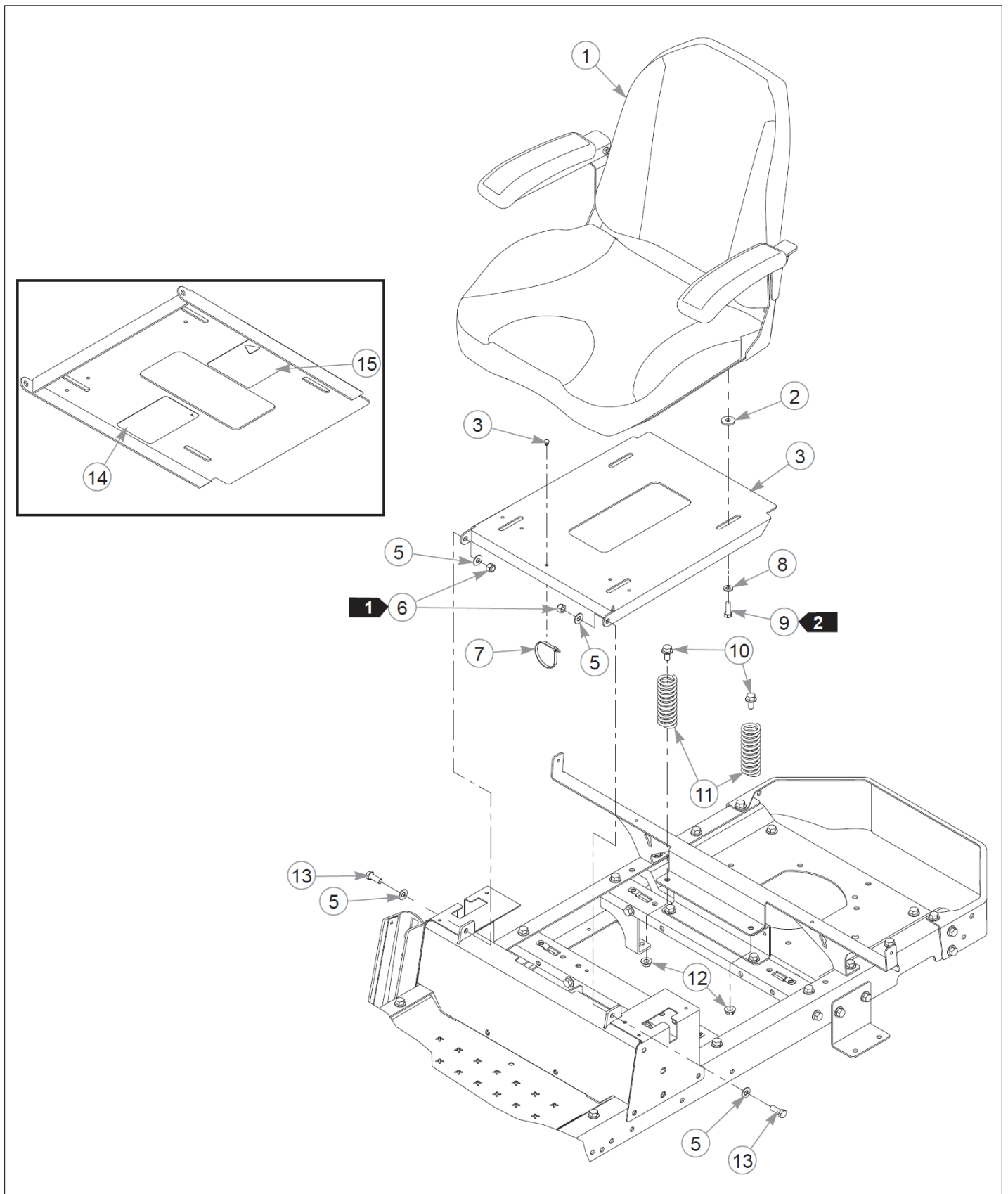


## Spindle Service Parts - 604214

52" Raptor Parts Manual - 931899CE - HTRTRS052KAWFR691VC

Item	Part No.	Qty	Name
1	604019	1	6203 2RST C3
2	604218	1	CAST HOUSING
3	607274	1	SVC SHAFT
3-1	607274-1	1	BALL BEARING 6204 2RST C3 x 607274
3-2	607274-2	1	OIL SEAL x 607274
3-3	607274-3	1	CUP PROTECTION x 607274

Seat



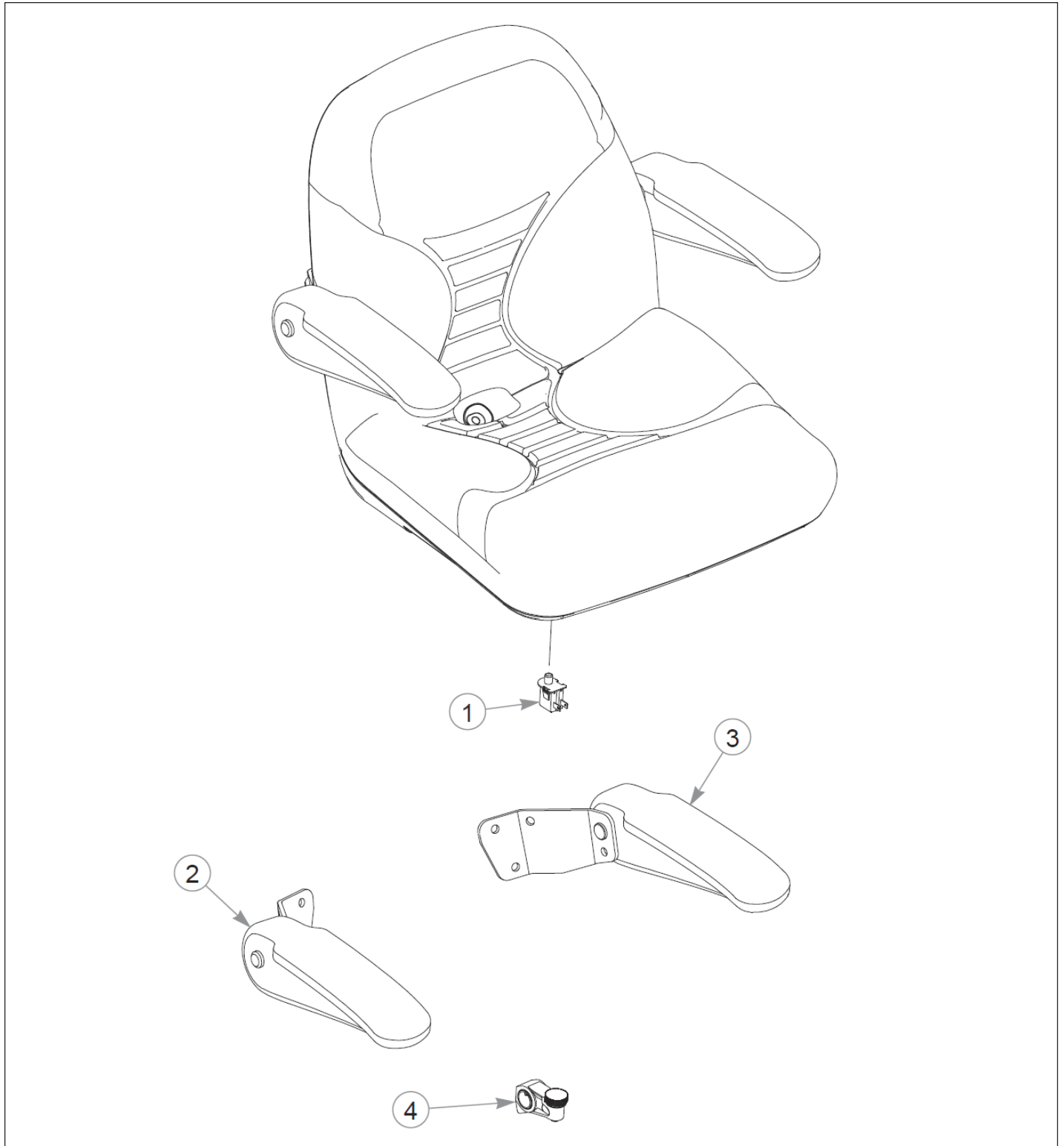
Elemento	Parte n.	Nome	Q.ta	Udm
1	606146	SEAT, SEATS INC 907	1	EA
2	712927	FW 0.344X1.000X0.120HD	4	EA
3	551897	SERVICE, SEAT PAN	1	EA
4	604307	MOUNT, PUSH BUTTON	1	EA
5	767954	FW 0.379 x 0.813 x 0.063	4	EA
6	086660	NT .375-16NLG8	2	EA
7	000331	WIRE TIE, SMALL/SHORT	1	EA
8	768523	FW 0.343SAE	4	EA
9	036236	CS .312-18X1.000HXG5	4	EA
10	029629	CS .375-16X0.750FLK	2	EA
11	793851	SPRING,COMP 1.25X4.00X.	2	EA
12	016899	NT .375-16 FLKG5	2	EA
13	36244	CS .375-16X1.000HXG5	2	EA
14	601815	DECAL, BATTERY WARNINGS	1	EA
15	781419	DECAL, BELT ROUTING	1	EA

Comments for Page: Seat

jmumford@excelii.com on Apr 10, 2017

1. Do not torque; the seat pan must pivot freely.
2. Torque to 9.5 N•m.
3. The seat pan includes the decals.

Seat



Elemento	Parte n.	Nome	Q.ta	Udm
Not Shown	792226	SEAT, MICHIGAN STANDARD	1	EA
1	793315	SWITCH, SEAT	1	EA
2	604459	EXT. ARMREST KIT R.H.	1	EA
3	604458	EXT. ARMREST KIT L.H.	1	EA
4	793273	ARMREST,STOP ASSY	2	EA

Appendice A Indice pagine

Battery .....	3-4
Deck .....	7-3
Deck Lift .....	7-4
Deck Pulleys & Spindles .....	7-2
Drive Wheel Breakdown .....	5-3
Engine (Multi-Page) .....	6-1
Engine Guard .....	3-3
Engine Service Parts .....	6-2
Fenders & Instrument Panel .....	3-2
Frame .....	3-1
Front Wheel Breakdown .....	5-2
Fuel System .....	6-3
General Information .....	1
Guards .....	7-5
Seat .....	8-1
Seat Service Parts - Standard Seat .....	8-2
Service Deck .....	7-1
Steering & Brake .....	4-3
Steering Cover Assembly .....	4-4
Transmission Assembly (Multi-Page) .....	4-1
Transmission Service Parts .....	4-2
Wheel & Tire .....	5-1



Appendice B	Indice parti	058776	4-1, 4-4
000323	6-1	059832	3-2
000331	3-1, 3-2, 3-4, 6-1, 6-3, 8-1	061077	5-1
005108	4-1, 4-4	063198	4-4
005116	7-4	064006	7-5
011320	7-5	068478	6-2
015818	6-1	068551	4-1, 4-3
016899	3-1, 3-2, 3-3, 4-1, 4-3, 4-4, 6-1, 7-3, 7-4, 7-5, 8-1	080655	4-1
017129	7-2	083147	7-2
017251	7-4	086660	4-1, 4-4, 7-3, 8-1
019521	5-3	110116	5-2
023655	4-3	110370	4-3
024927	3-4, 6-1	114052	3-2
027714	7-4	116141	4-4
029629	3-1, 3-2, 3-3, 4-3, 4-4, 7-4, 8-1	116142	4-4
029751	3-1, 4-3, 7-4	116143	4-1
029868	3-4	116144	4-3
029876	6-1	116151	7-4
030817	6-1	116155	7-3
031997	7-3	116157	7-3
033035	6-3	116218	4-1
034272	4-3	116287	4-1
036236	7-2, 8-1	116289	4-1
036244	6-1	116911	7-3
041152	4-3	116916	7-4
043067	4-1	117059	6-3
044255	6-1	117060	6-3
045898	3-2	120677	7-4
048553	4-3	121232	7-4
053199	7-3	121625	6-1
054502	4-1	121780	7-2
055939	3-2, 3-4, 4-4, 6-1, 6-3	122388	7-2
056036	4-1	122817	3-3
		123629-1	7-5

---

123630-1	7-5	601097	3-2
123632-1	7-5	601098	3-2
123634-3	4-1	601131	4-1
123636-1	3-1	601400	6-3
123637-1	3-1	601433	4-2
306969	5-2	601815	8-1
344267	5-1	601820	5-3
36244	4-3, 8-1	601822	4-4
551698	4-4	601839	7-3, 7-4
551770	7-1	601967	3-1
551858	3-1	601981	3-1
551859	3-1	601982	3-1, 3-2, 3-4
551860	3-1	602041	3-1, 3-3
551861	3-1	602094	4-2
551862	3-1	602407	3-2
551863	3-1	602562	7-3
551865	3-1	602580	6-1
551866	3-1	602581	6-2
551867	3-1	602680	6-1, 7-3
551868	3-1	603059	6-2
551897	8-1	603807	6-3
551898	3-2	603848	7-3
551912	4-4	603905	4-3
552570	3-1	603907	4-1
552613	7-3	603983	4-3
552614	7-3	603986	7-2
552809	3-2	603988	7-2
552810	3-2	603995	7-3
553148	3-1	604013	5-1
553505	3-2	604016	6-1
601051	4-1	604079	7-2
601053	3-2	604110	7-2
601069	4-3	604123	7-2
601096	3-2	604127	4-1

---

604128	4-1	604346	7-3
604173	4-3	604350	6-2
604176	3-1	604369	6-2
604177	3-1	604377	7-4
604178	3-4	604388	3-2
604179	4-4	604452	4-4
604194	7-2	604458	8-2
604195	4-4	604459	8-2
604196	3-2	604463	6-1
604214	7-2	604465	3-4
604219	7-2	604490	4-1
604221	7-1	604491	4-1
604222	7-1	604515	7-4, 7-4
604231	7-2	604718	5-2
604251	7-2, 7-5	604745	3-3
604252	7-2	604876	3-1, 3-2
604253	7-2	604901	4-2
604254	7-2	604902	4-2
604267	5-3	604903	4-2
604268	7-3	605016	7-3
604273	6-3	605113	5-2
604274	6-1	605273	4-3
604275	4-4	605529	4-4
604279	6-3	605574	6-1
604288	4-4	605595	6-1
604292	6-3	605782	3-1
604299	4-4	605827K	6-1
604300	4-4	605958	6-3, 6-3
604307	3-1, 6-3, 8-1	606105	4-4
604322	6-3	606106	4-4
604323	6-3	606146	8-1
604324	3-2, 7-3	606520	6-1
604331	7-3	606531	6-2
604343	4-1	606535	6-2

---

---

606575	4-3	781708	4-4, 7-3
606593	7-3	781922	4-3
606943	7-2	783753	7-3
704718	7-5	784223	5-1
704932	3-2	784603	5-1
705954	5-1	785048	6-1
706168	7-3	785139	4-4
706549	4-1	785220	4-4
707398	5-2	785436	7-3
710087	4-1	785535	7-1
712372	6-1	785808	3-2
712893	4-1	787721	7-3
712927	8-1	788166	7-3
712976	5-1	788877	4-2
713198	6-3	789776CE	3-1
720516	6-1	791251	6-1
754101	7-3	791988	7-3
765339	4-4	792226	8-2
767954	4-1, 4-3, 6-1, 7-3, 8-1	793273	8-2
767962	5-2, 7-2, 7-3, 7-4	793315	8-2
768044	5-2	793851	8-1
768515	3-4, 4-1, 4-3, 4-4, 6-1, 6-3	794198	7-3
768523	4-1, 4-3, 4-4, 7-2, 8-1	795047	4-2
771428	3-4	798363	4-2
772483	4-3	798371	4-2
772806	5-2		
772814	5-2		
776310	3-1		
776476	3-2		
781153	4-4		
781211	4-4		
781260	4-3		
781419	8-1		
781567	4-4, 7-2, 7-3		

---